

Introduction

INTRODUCTION

The Audio Connectivity Module (ACM) fitted to your vehicle enables portable media players (e.g. iPod), USB memory devices and other compatible devices to be connected and controlled via the audio system steering wheel controls.

The ACM is connected directly to the audio system via the auxiliary input. This hard-wired solution delivers quality audio, and safe control of the players from the vehicle's steering wheel controls.

The ACM supports all iPods from 5th generation onwards. An AUX-IN connection is available for players not compatible with the device.

For further information regarding the general use of the media player and the vehicle's audio system, please consult your Land Rover dealer. For iTunes software refer to www.apple.com/itunes/.

WARNING

Do not allow the audio device to distract you from driving! Only operate the unit when stationary.

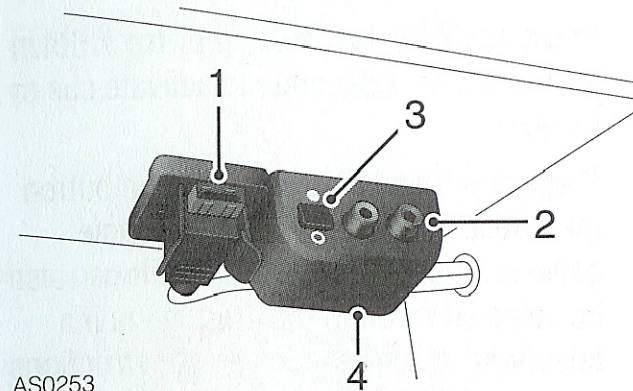
Neither Land Rover Ltd., it's regional offices, distributors or resellers accept any responsibility for any damage or injuries as a result of using the Audio Connectivity Module.

Exercise good judgement and keep your eyes on the road at all times.

For safety and security, always remove the iPod from its cradle and store out of sight when leaving the vehicle.

Overview

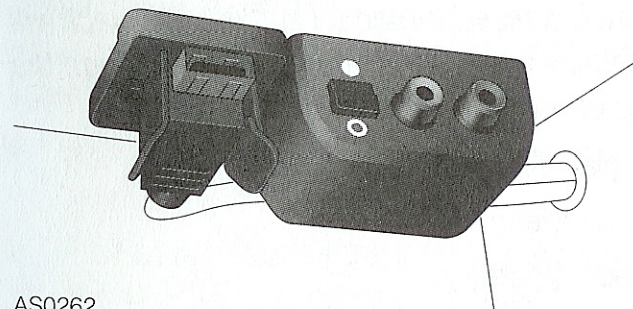
AUDIO CONNECTIVITY MODULE (ACM)



AS0253

Located in the glove box.

1. USB Memory Devices
2. Auxiliary Input
3. Auxiliary Input Bypass Switch
4. Reset Switch



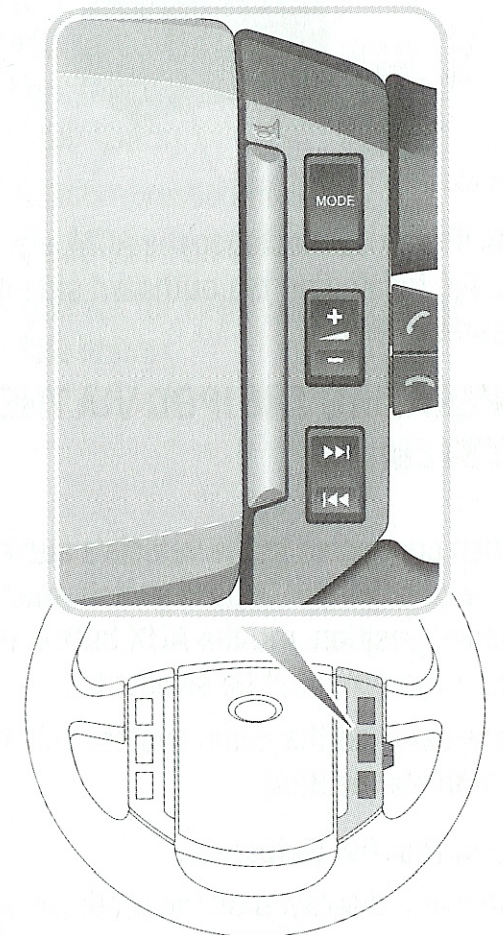
AS0262

- Active
- Bypass

USING THE DVD PLAYER (WHERE FITTED)

When using the ACM, it is possible to switch between the iPod and the DVD player by using the auxiliary input bypass switch. To use the DVD player through the audio system, set the switch to 'bypass'. To use the iPod through the audio system, set the switch to 'active'.

USING THE STEERING WHEEL CONTROL



AS0256

The remote controls on the steering wheel can be used to control the volume, the track selection and the playlist/folder selection when the iPod is connected to the ACM.

iPod

CONNECTING THE IPOD TO THE SYSTEM



AS0255

The iPod is connected to the ACM, via a docking cradle, located on the outboard side of the steering wheel.

OPERATING THE IPOD VIA THE AUDIO SYSTEM

When connected to the vehicle's audio system, the auxiliary input bypass switch must be in the 'active' position and the AUX button on the audio system must be selected.

Once selected the audio system will allow you to activate the iPod.

Track/Playlist Selection

The menu displayed on the iPod can be used to select the tracks you wish to play.

Track selection can also be made using the steering wheel controls:

- Press track up or track down once to change the track.

- Press and hold the track up or track down for 2 seconds to change the playlist. When in Artist or Album mode, the iPod will commence playing playlist 1.
- Press and hold the track up or track down for more than 2 seconds to activate cue or review.
- Press and hold telephone hang up button for 2 seconds (where fitted) to toggle between shuffle on and off. Shuffle can also be selected through the iPod menu if a telephone isn't fitted. See iPod instructions for details.

The shuffle sequences are as follows:

OFF

SONGS

ALBUMS

Note: When a track has been selected from 'Playlists', 'Albums' or 'Artists' and the starter switch is reset (turned off and on), the track will continue to play and you can scan through the tracks using the controls as normal.

To play all tracks:

Press 'Menu'.

Select 'Shuffle'.

Press 'Select'.

The iPod will now play all tracks. Press and hold the telephone hang up button for 2 seconds (where fitted) for toggle random or artist order play. For further details refer to your iPod user manual.

Repeat and Scan

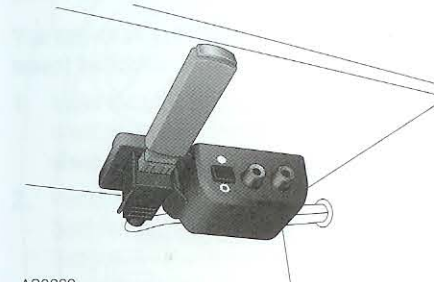
The vehicle's audio system does not allow selection of the repeat and scan features. Set the required feature on the iPod before connecting to the vehicle.

Note: Audio system buttons cannot be used for controlling the ACM.

USB Memory Devices

CONNECTING A USB MEMORY DEVICE

Music files can also be stored on USB memory devices. The ACM has a connection facility to support a USB memory device.



AS0260

Connect the USB memory device to the ACM and press the AUX button to tell the audio system to playback the USB memory device.

Track/Folder Selection

Track selection can be made using the steering wheel controls:

- Press track up or track down once to change the track.
- Press and hold the track up or track down for 2 seconds to change the folder.
- Press and hold the track up or track down for more than 2 seconds to activate cue or review.

OPERATING A USB MEMORY DEVICE FROM THE AUDIO SYSTEM

To operate the USB memory device, use the steering wheel controls to scroll up and down through the track list.

Note: When the iPod or USB memory device is removed or the starter switch turned off, actual playback position is saved.

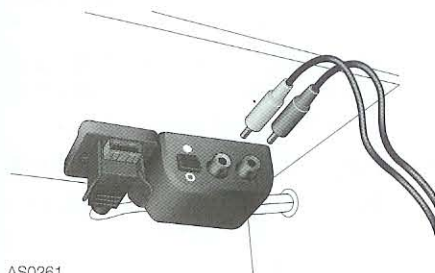
COMPATIBLE FILE FORMATS FOR PLAYBACK

The Audio Connectivity Module can playback most of the popular file formats:

- AAC (up to 320 kbit/s)
- MP3 (up to 320 kbit/s)
- MP3 Variable Bit Rate (VBR) (up to 320 kbit/s)
- WAV (Uncompressed files)
- OGG (up to 320 kbit/s)
- WMA (except for DRM protected files, up to 320 kbit/s).

Auxiliary Input

CONNECTING OTHER AUDIO SOURCES



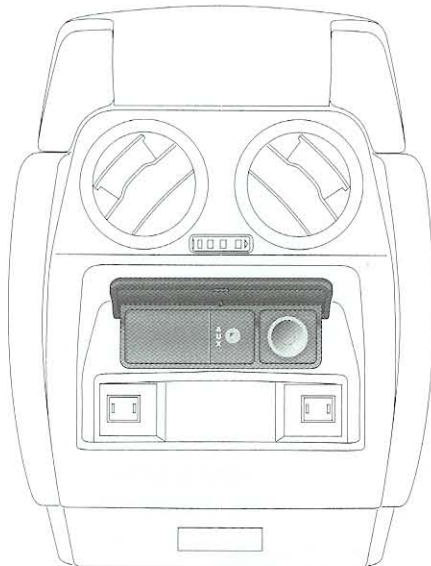
AS0261

Other music sources, such as portable CD players, mini disc players etc. can be connected to the ACM via the auxiliary RCA input connections.

Connect the corresponding cables from the audio source to the correct jacks on the ACM.

- Red - Right channel audio input.
- White - Left channel audio input.

Select the AUX button on the vehicle audio system.



AS0254

Other audio sources can also be connected to the auxiliary connection in the rear of the centre console by selecting 'bypass' on the auxiliary input bypass switch. This also allows audio from the rear DVD system (if fitted) to be played through the vehicle's audio system.

Note: To use the auxiliary input, remove iPod and any USB devices.

Troubleshooting

RESOLVING PROBLEMS

The following are some simple checks to help resolve the most common problems experienced when using the system. If these checks fail to resolve a particular problem, please contact your Dealer.

You cannot control the iPod from the steering wheel switches:

1. Make sure the firmware on the iPod is the most up to date. For updates visit www.apple.com/ipod.
2. Reset the iPod. On the click-wheel iPods, hold the centre button and the menu buttons. On the 3rd generation models, hold 'Menu' and 'Play/Pause' until iPod reboots. Resetting will not erase your music; it will only restart the operating system of the iPod.

iPod does not turn on:

1. Verify that the iPod's battery is not discharged by attempting to turn it on without connecting to the vehicle.
2. Turn off, both the vehicle audio system and the iPod, before inserting into the docking cradle. Switch on the audio system and select the appropriate source.

iPod battery does not charge:

1. Check all connections.
2. Make sure the charge control function is not turned off (see iPod user manual).
3. Connect iPod to a computer to see if it will charge from there.
4. 3rd generation iPods cannot be charged by the ACM.

USB does not read file:

1. Check file is legal and not corrupt (this can be done on a computer).

Interface does not read USB:

1. Fit USB and wait for 1 minute (some USB memory devices take a long time to initialise).