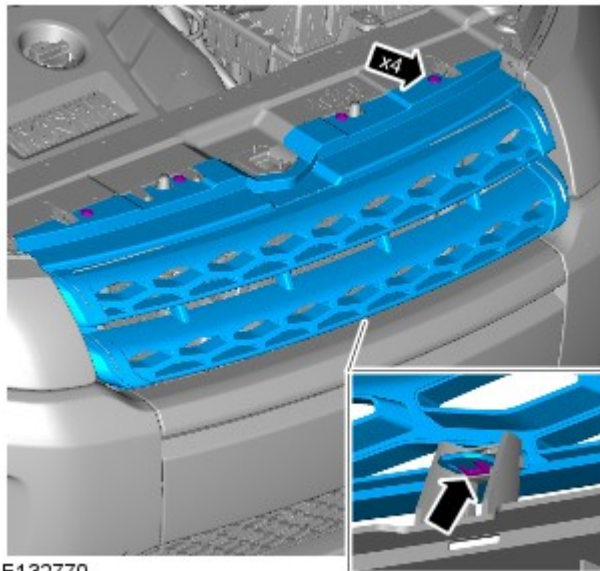


Bumpers - Front Bumper Cover

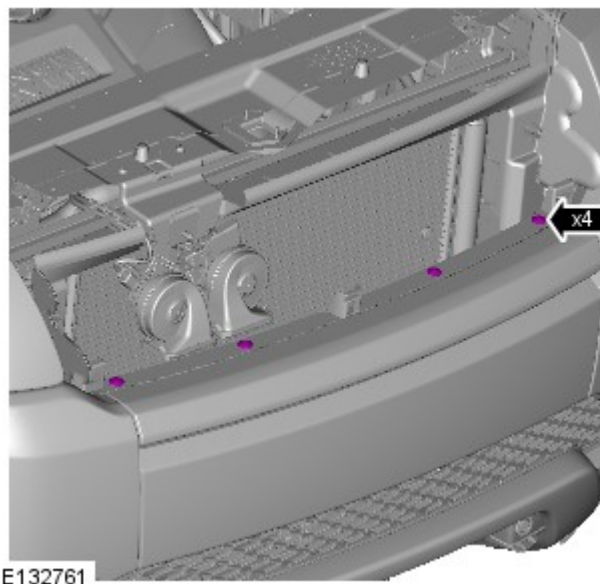
Removal and Installation

Removal


- NOTE: Removal steps in this procedure may contain installation details.



1.



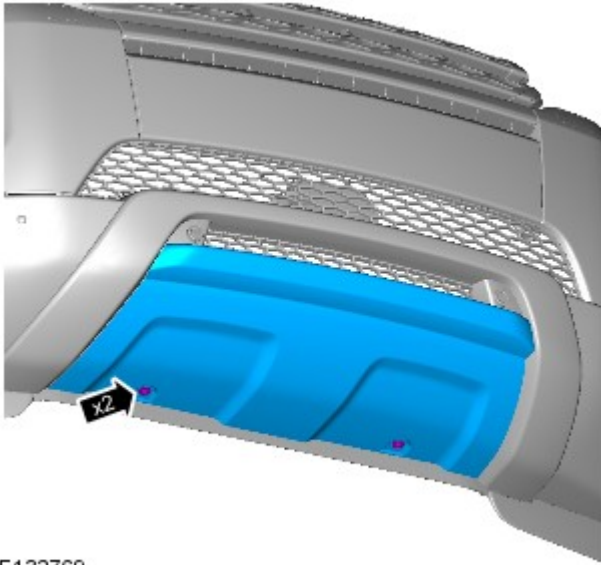
2.

3.  **WARNING:** Make sure to support the vehicle with axle stands.

Raise and support the vehicle.

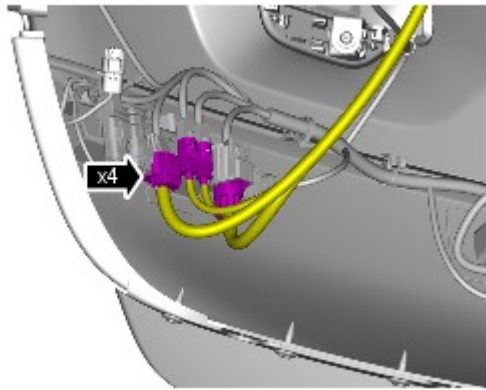
4. **NOTE:** The step must be carried out on both sides.

Refer to: [Fender Splash Shield](#) (501-02 Front End Body Panels, Removal and Installation).



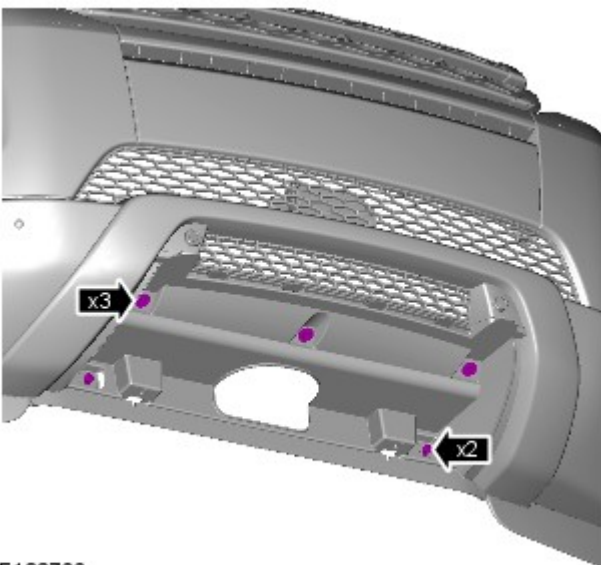
5.

E132769



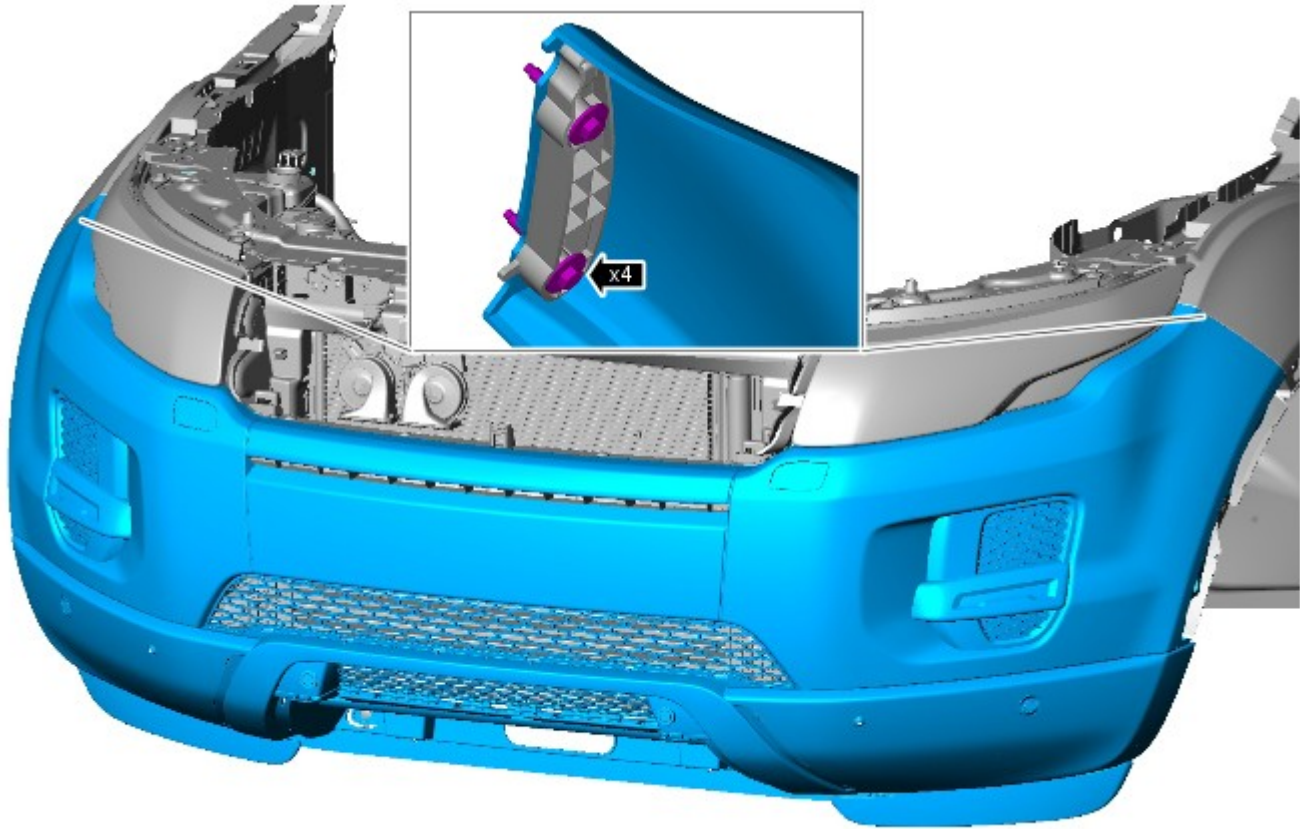
6.

E132762

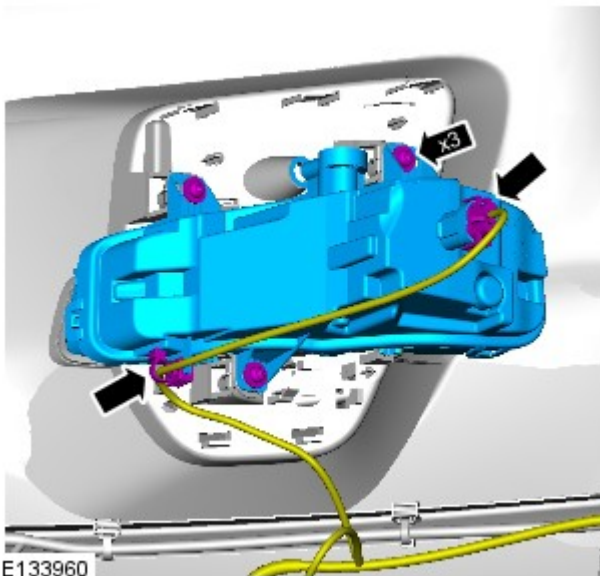


7.

E132766



E132764



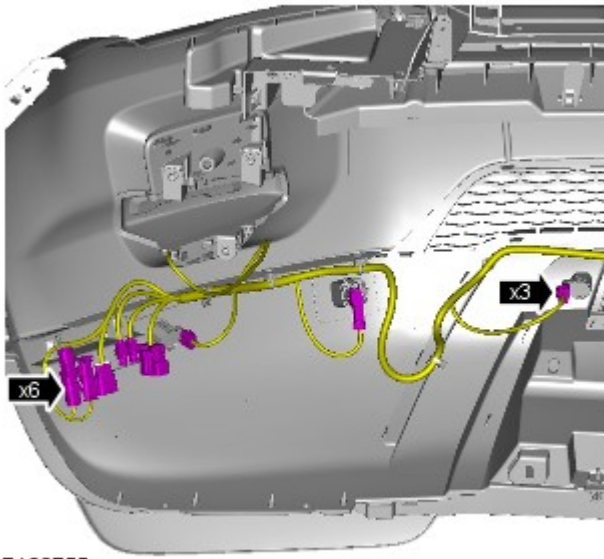
E133960

9. **9.** NOTE: The step must be carried out on both sides.

- NOTE: Do not disassemble further if the component is removed for access only.

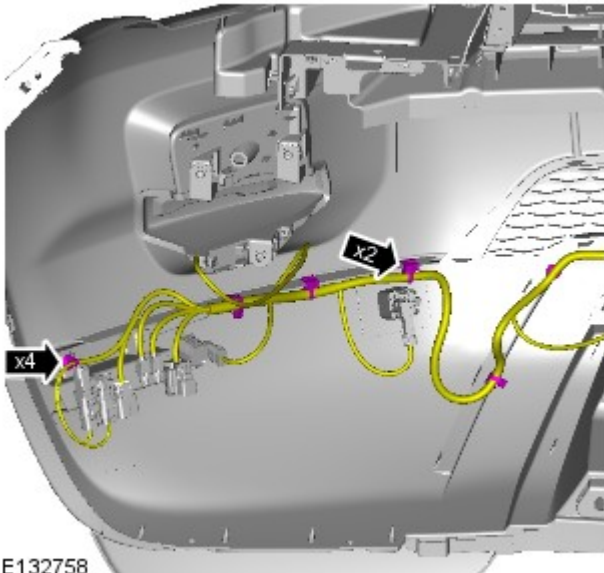
Torque: 2 Nm

10.



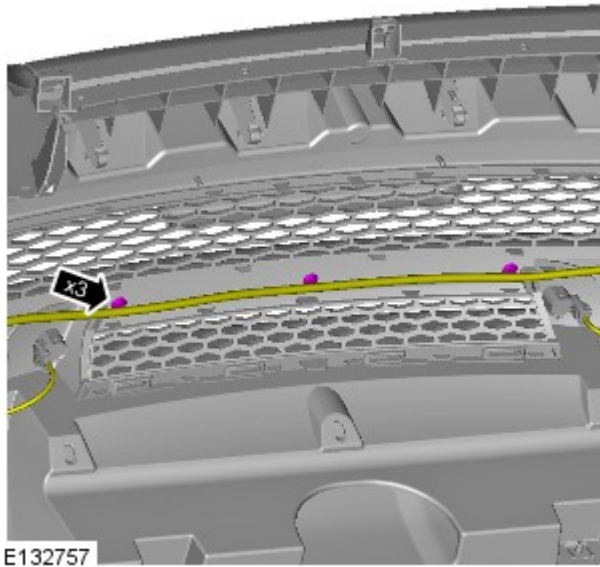
E132755

11.



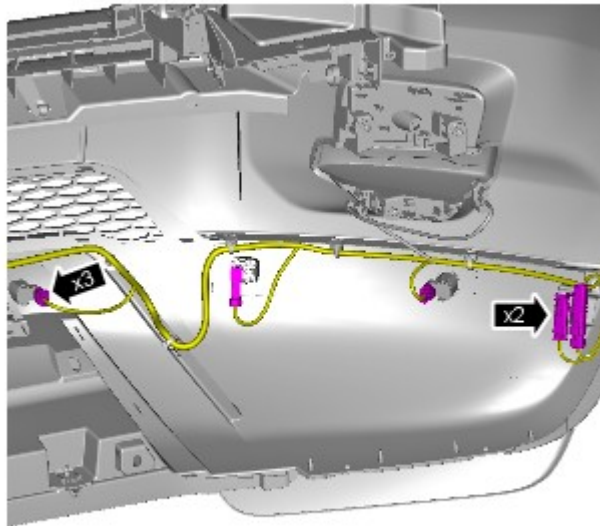
E132758

12.

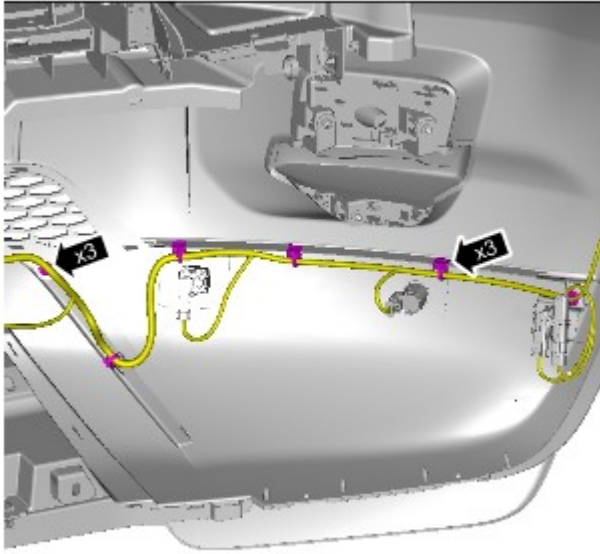


E132757

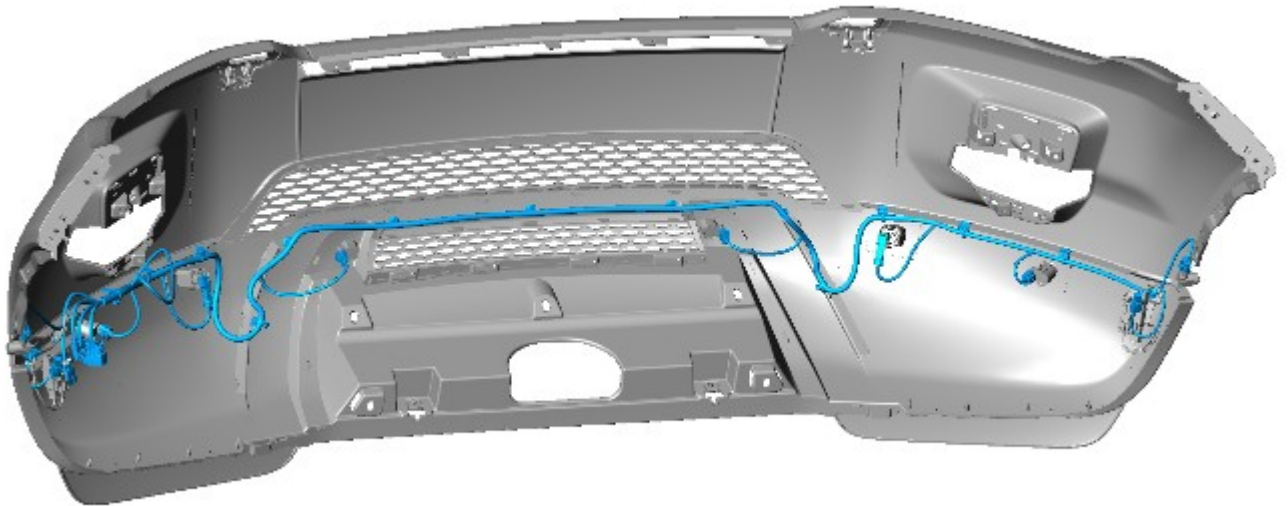
13.



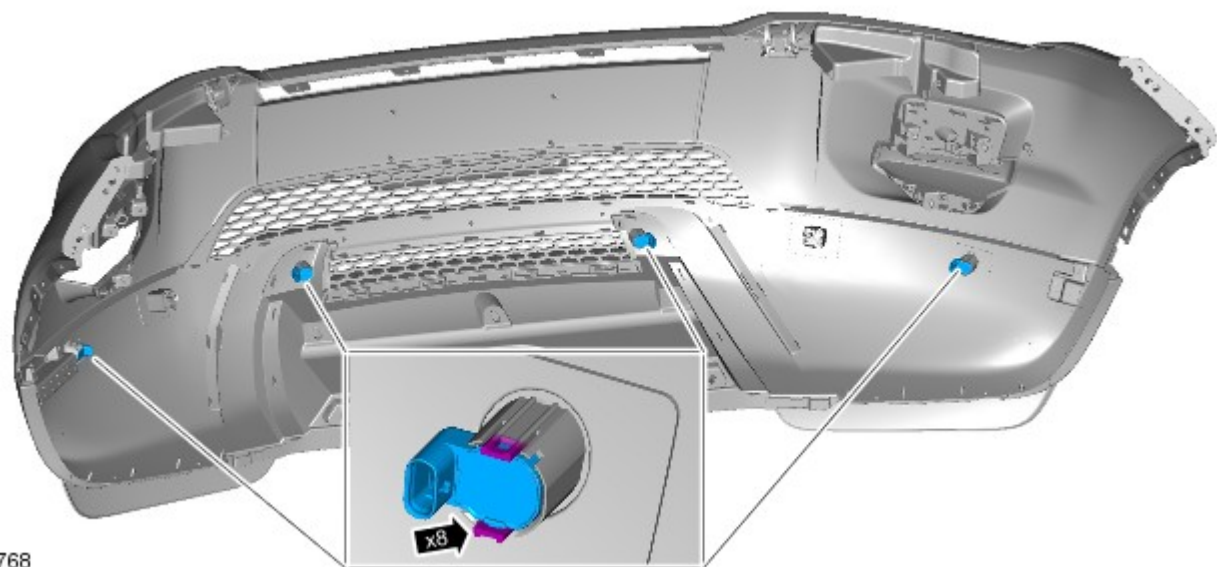
E132756



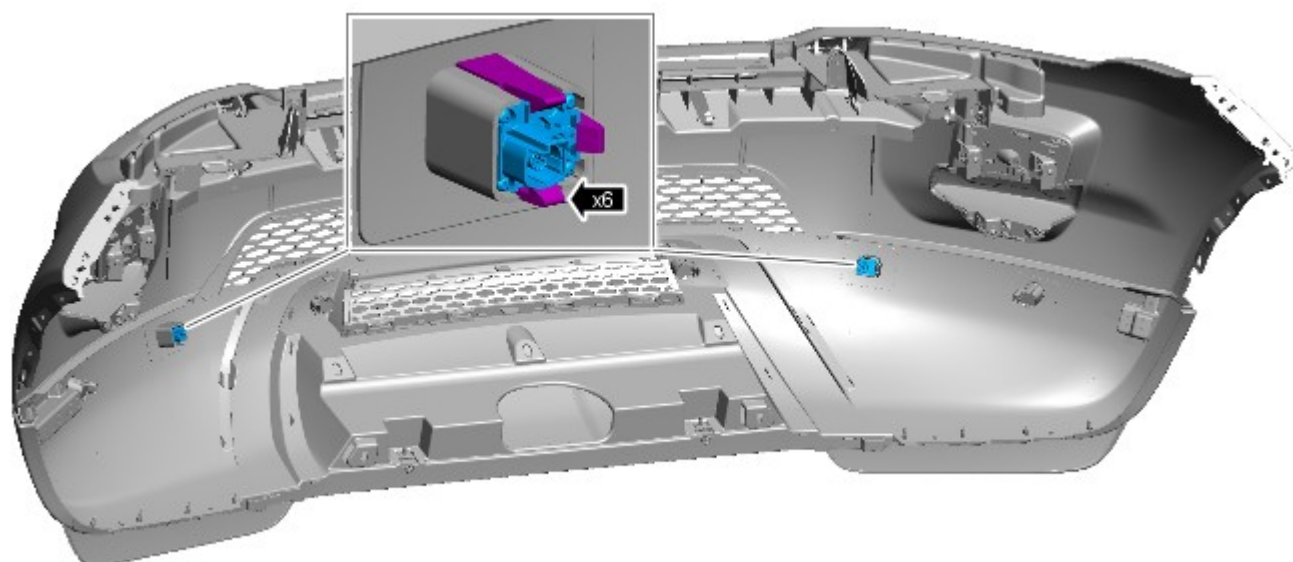
E132759



E132760

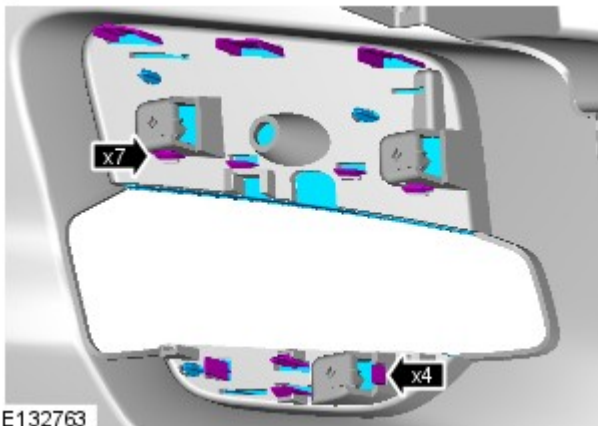
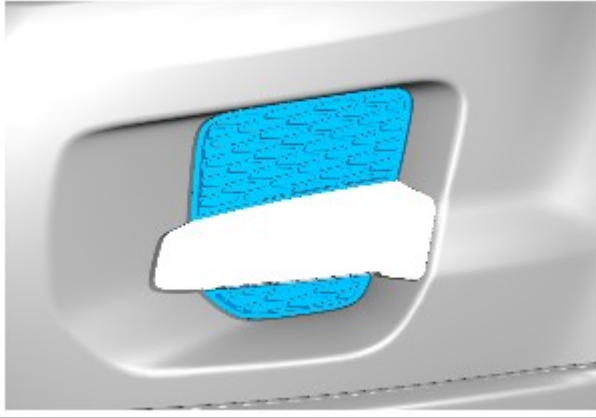


E132768

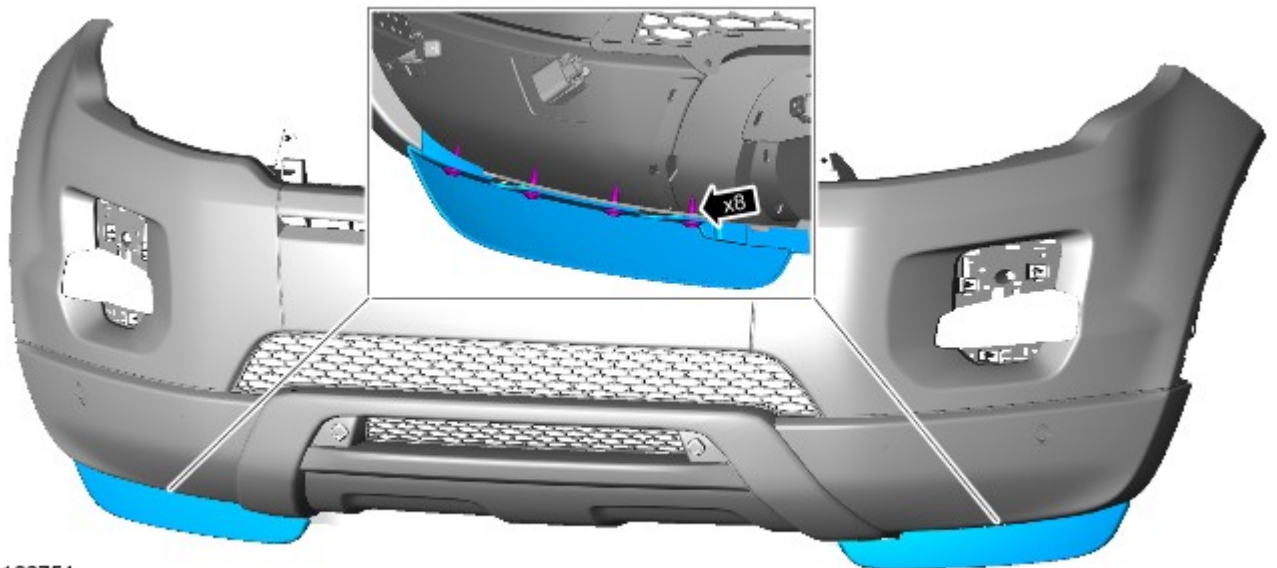


E132767

18. **18.** NOTE: The step must be carried out on both sides.



E132763



E132754

Installation

1. To install, reverse the removal procedure.