

Bumpers - Rear Bumper Cover

Removal and Installation

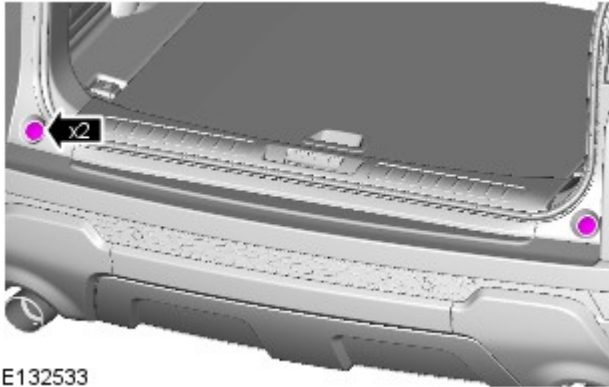
Removal

- NOTE: Removal steps in this procedure may contain installation details.

1. **1. NOTE:** The procedure must be carried out on both sides.

(Remove Exterior rear Lighting.

- 2.

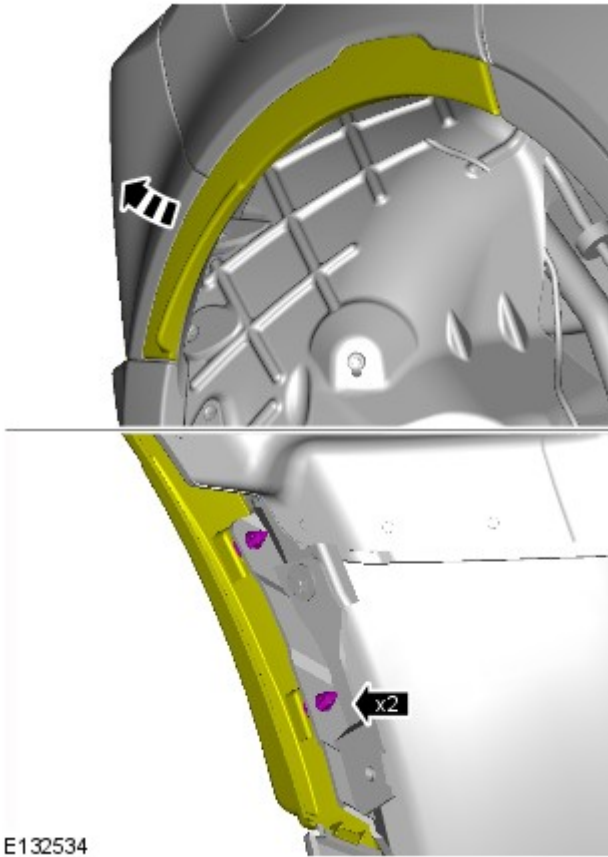


E132533

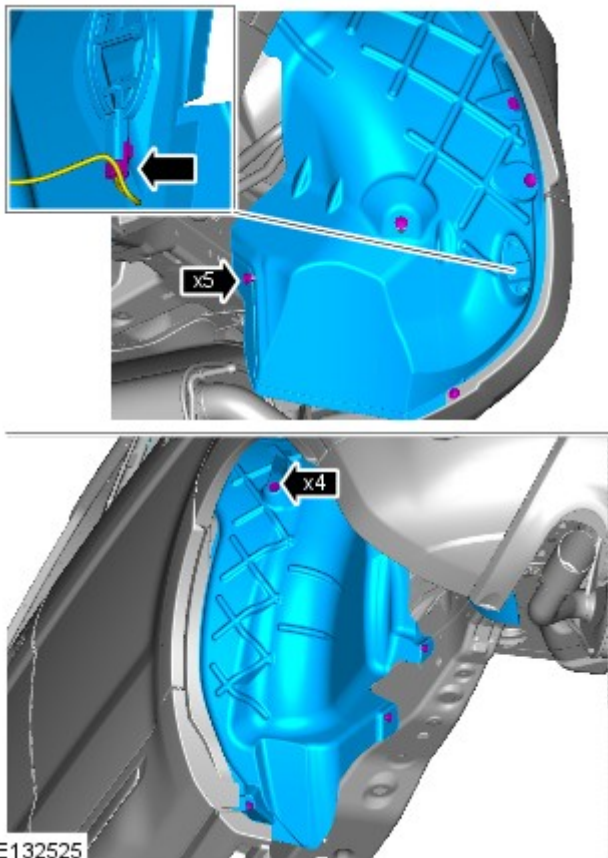
3. **3. ⚠ WARNING:** Make sure to support the vehicle with axle stands.

Raise and support the vehicle.


4. Remove the rear wheels and tyres.



E132534

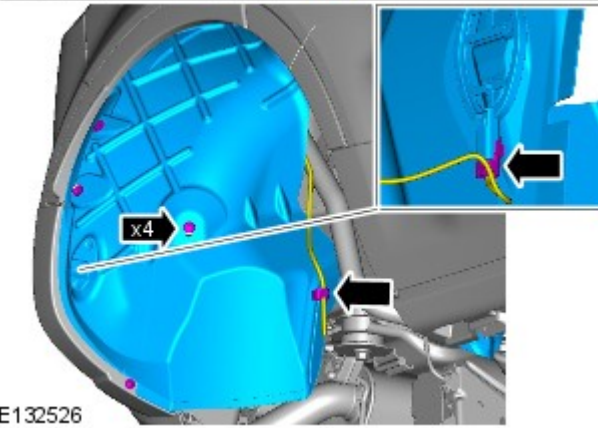
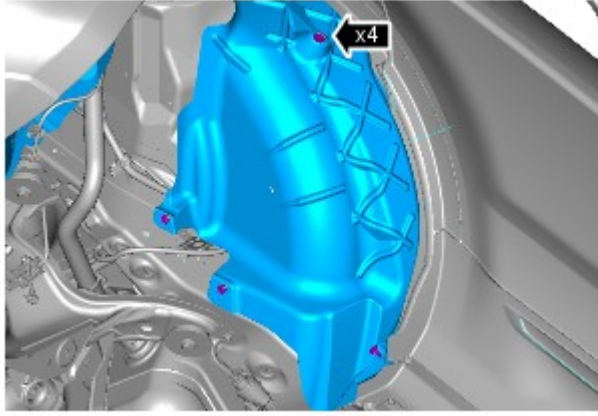


E132525

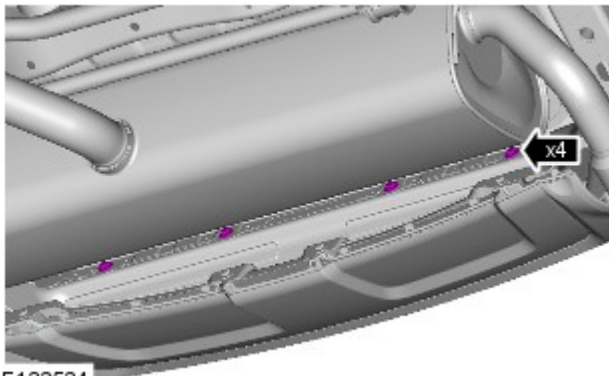
5.  CAUTION: Take extra care not to damage the component.

- NOTE: The step must be carried out on both sides.

- 6.



E132526

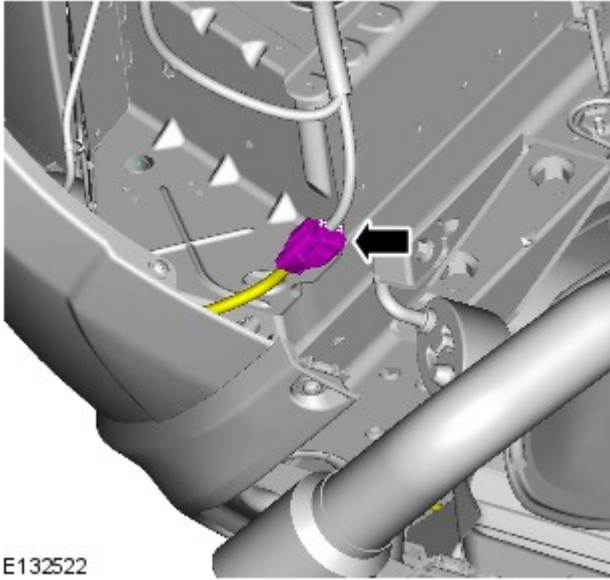


E132524

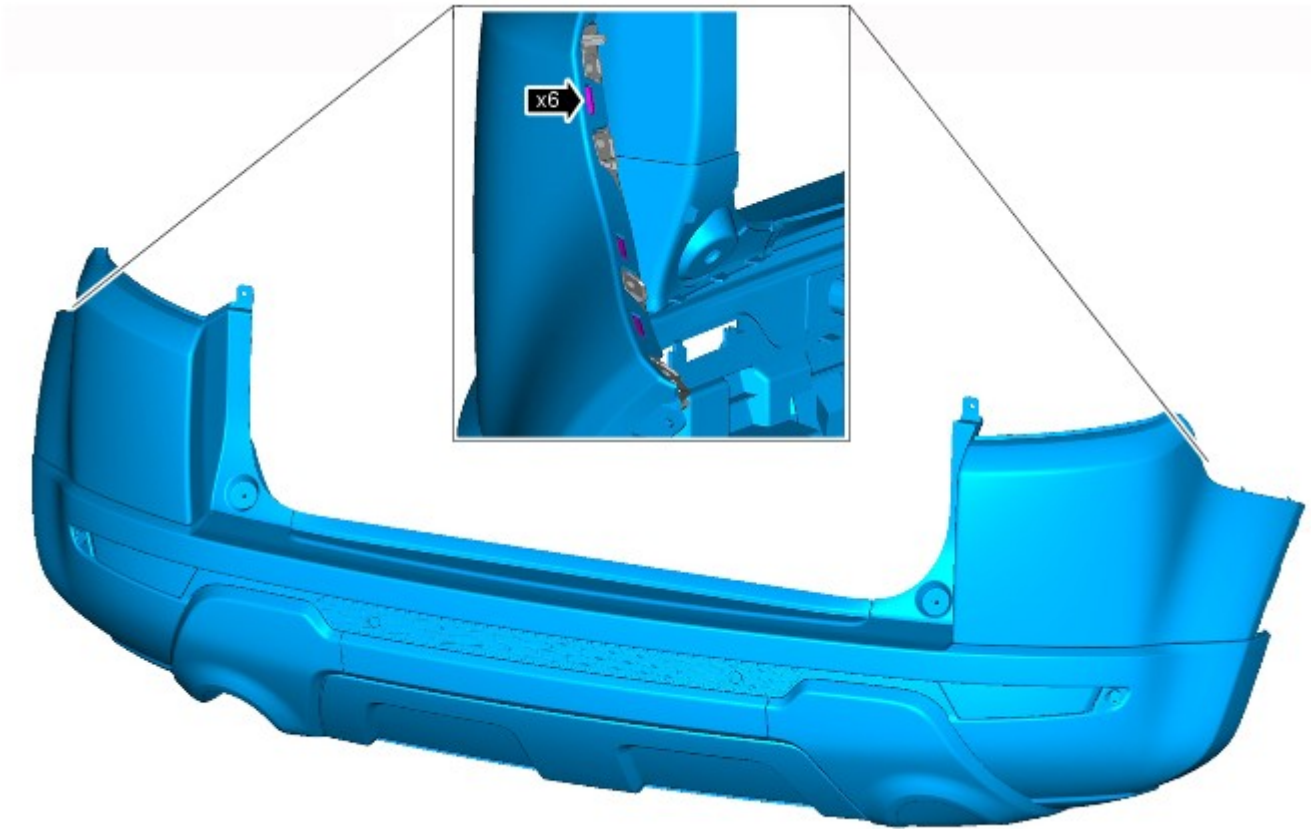
7.

8. Torque: 4.5 Nm

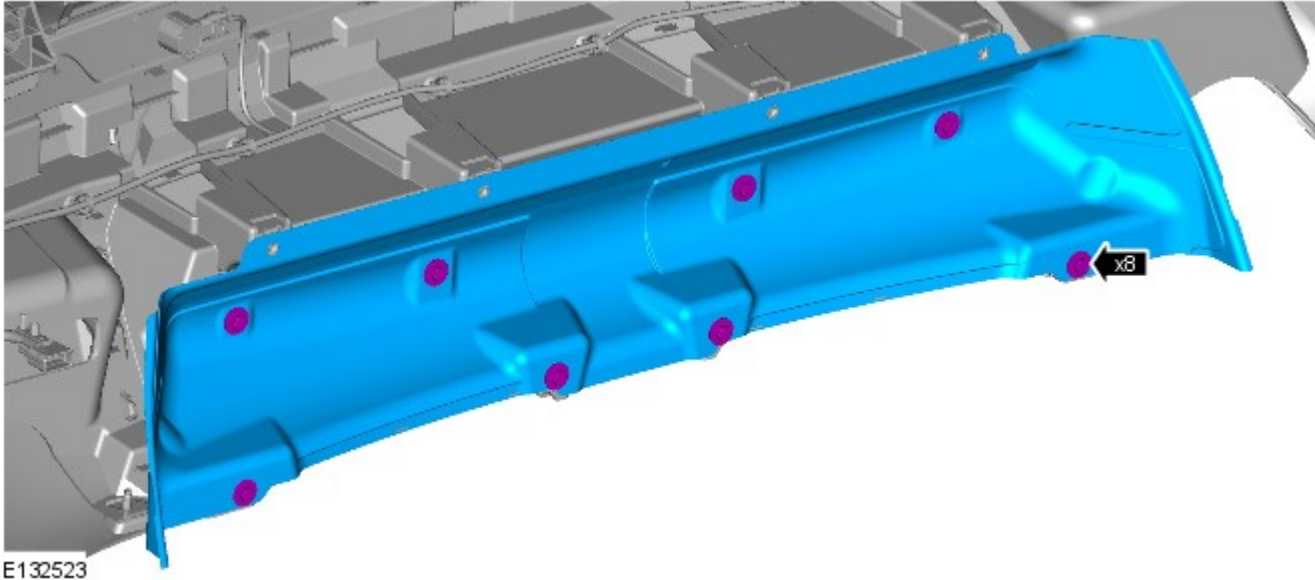
9.



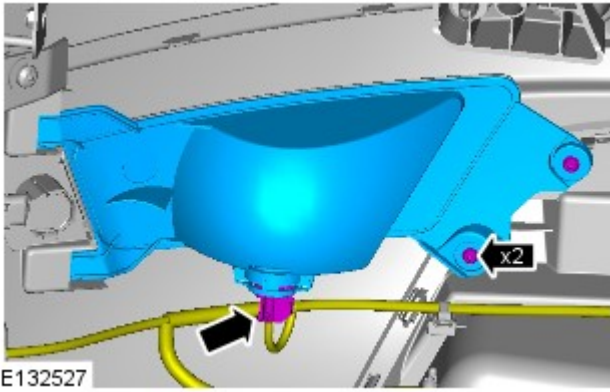
E132522



E132521



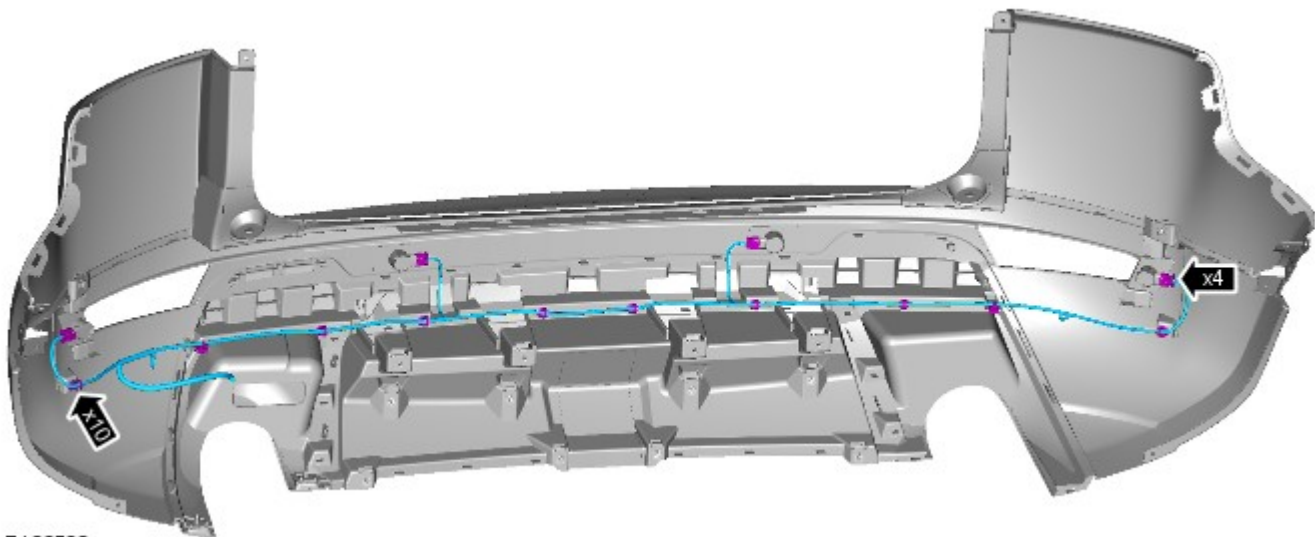
E132523



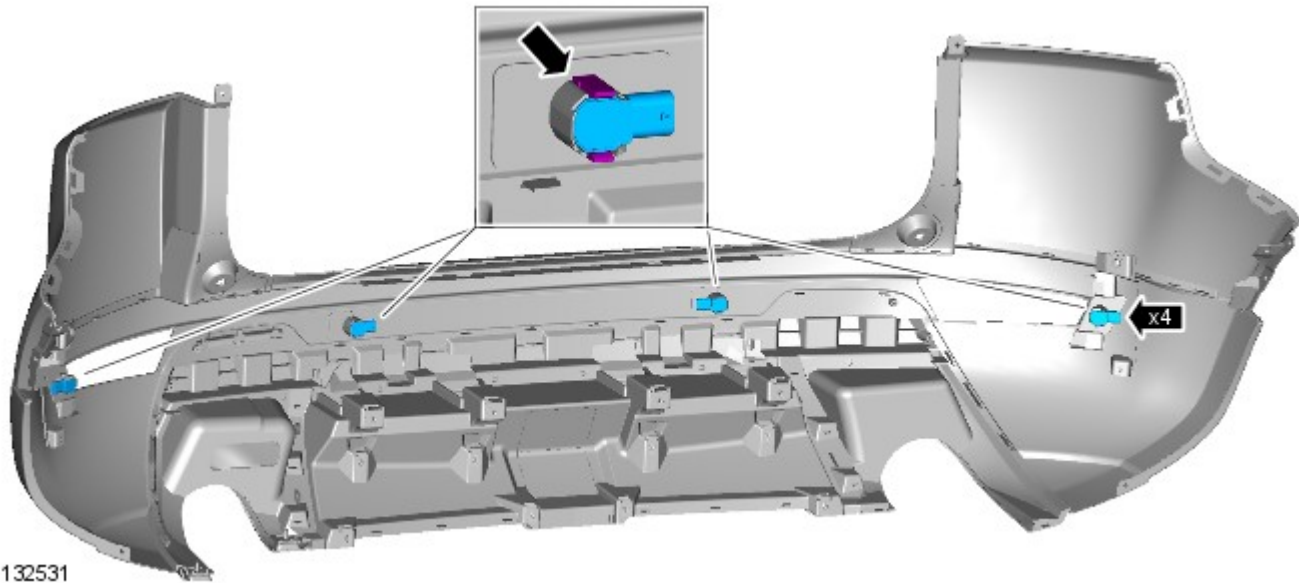
E132527

12. **12.** NOTE: The procedure must be carried out on both sides.

Torque: 4.5 Nm

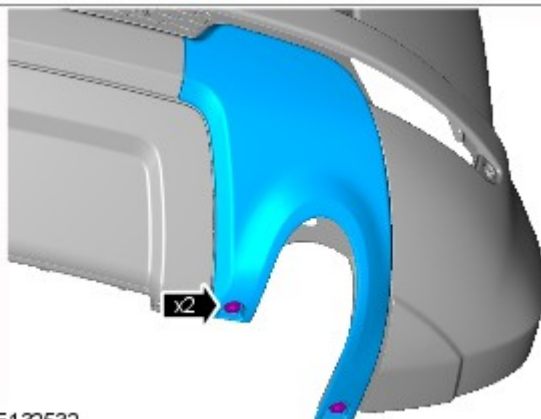
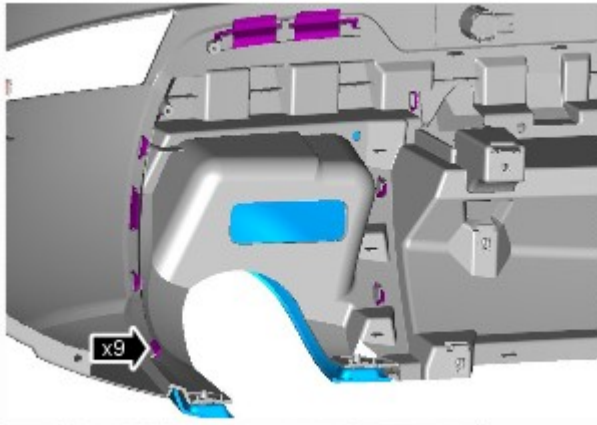


E132528



E132531

15.



E132532

Installation

1. To install, reverse the removal procedure.