



versatile design solutions
for safe, efficient movement



Accuride Telescopic Slides

Accuride have been at the forefront of design and manufacture of telescopic slides for access and movement systems since 1962. As a result of an enviable partnership with their distributor network and closely monitoring customer feedback Accuride offer an innovative new product development process resulting in a comprehensive range of off-the-shelf telescopic slides.

With extensive first-class manufacturing and testing facilities, certified to ISO9001, with the European plants also achieving the ISO14001 Environmental Standard and the ISO TS16949 standard for automotive production, Accuride slides represent unequivocal quality components that will perform reliably over the lifetime of your product.

Accuride slides ensure the smooth movement of sliding components, contributing significantly to optimum space utilisation, efficient storage and easy access for repair and maintenance. Typical installations include commercial/industrial machinery, electronic enclosures, a wide variety of transport applications such as emergency vehicles, and trucks as well as aircraft, trains, ships and boats.

Our long association with Accuride has given us many years experience which enables us to respond quickly and positively to your needs, giving advice and assistance, thus, helping you to determine which telescopic slide is most suited to your particular application.

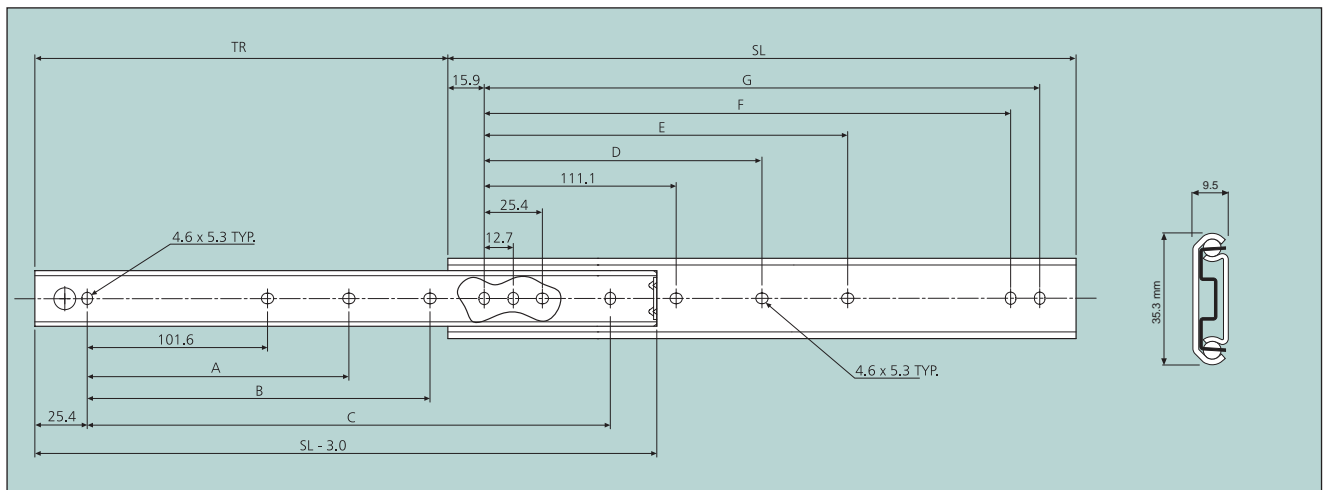
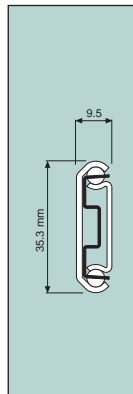
Quick Reference Guide

MAIN FEATURES														Page	
Load rating - kg	Extension	AJ slide ref:	Accuride slide ref:	Max load - kg	Slide thickness x height - mm	Disconnect	Hold-in	Hold-out	Lock-in	Lock-out	Self close	Corrosion resistant	Optional bracket	Other features	Page
-50	75%	1297	0201	50	9.5 x 35.3								X		b14
-50	75%	1295	2132	50	12.7 x 35.0	X	X						X		b15
-50	100%	1310	2601	45	12.7 x 26.3		X							Minimum section	b16
-50	100%	1309	3832	50	12.7 x 45.7	X	X						X		b17
-50	100%	1309	3832SC	50	12.7 x 45.7	X	X				X		X		b18
-50	100%	1309	3832HDSC	50	12.7 x 45.7	X	X				X		X		b18
-50	100%	1309	3832DO	50	12.7 x 45.7	X	X	X					X		b19
51-99	75%	1298	0204	65	9.5 x 35.3	X				X			X		b20
51-99	100%	1312	DS0330	65	19.1 x 35.3		X					X		Stainless steel	b21
51-99	100%+	1305	3307	68	12.7 x 50.8	X				X			X		b22
51-99	100%+	1317	3308	68	12.7 x 50.8	X			X	X			X		b23
51-99	100%+	1311	0301	70	19.1 x 35.3								X		b24
51-99	100%+	1313	0305	70	19.1 x 35.3	X				X			X		b25
100+	100%	1318	3607	120	19.1 x 53.1	X				X			X		b26
100+	100%	1316	9301	227	19.1 x 76.2								X		b27
100+	100%	1319	9308	227	19.1 x 76.2				X	X			X	Front lever lock release	b28
100+	100%+	1308	5321	180	19.1 x 53.1		X						X		b29
100+	100%+	1307	0522	180	26.5 x 95.5									Shock blocks & mounting plate	b30

Accuride: Telescopic Slides

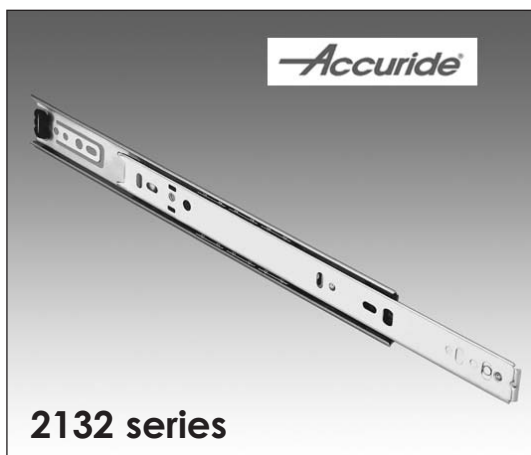
TWO BEAM SLIDES

- Load rating up to 50kg per pair
- 75% extension
- 9.5mm slide thickness
- Basic 2 section slide
- 10,000 cycles tested



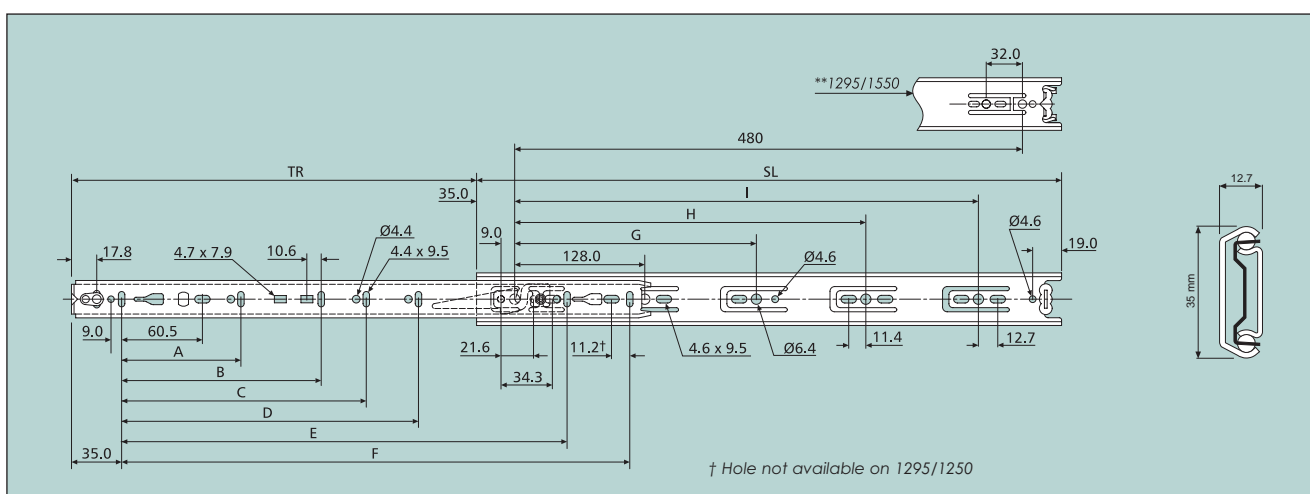
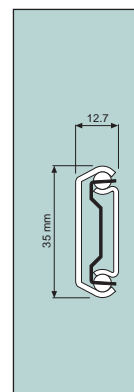
Part No.	SL	Travel	A	B	C	D	E	F	G	Weight	Load
1297/305*	305	227	-	152.4	254.0	-	149.2	260.3	273.0	0.57	50
1297/355	356	277	-	203.2	304.8	-	200.0	311.1	323.8	0.66	50
1297/406*	406	302	-	254.0	355.6	-	250.8	361.9	374.6	0.77	45
1297/457	457	327	203.2	304.8	406.4	212.7	301.6	412.7	425.4	0.87	45
1297/508*	508	378	228.6	355.6	457.2	238.1	352.4	463.5	476.2	0.96	40
1297/558	559	405	254.0	406.4	508.0	263.5	403.2	514.3	527.0	1.06	40
1297/610*	610	429	279.4	457.2	558.8	288.9	454.0	565.1	577.8	1.17	35
1297/660	660	481	304.8	508.0	609.6	314.3	504.8	615.9	628.6	1.25	30
1297/711*	711	506	330.2	558.8	660.4	339.7	555.6	666.8	679.4	1.34	30

- Notes:
- All dimensions in mm.
 - All weights in kg.
 - Load ratings quoted per pair.
 - Load ratings shown are representative of a wide range of typical applications and take into consideration factors which can adversely affect performance. Please contact us with specific application details where load ratings are critical.
 - * Non stock items subject to lead time and minimum order quantities - call for details.
 - Stock items listed have a bright zinc-plate finish.
 - Optional bracketry available on request.
 - Recommended fixing with M4 screws.



TWO BEAM SLIDES

- Load rating up to 50kg per pair
- 75% extension
- 12.7mm slide thickness
- Integral drawer cam adjuster
- Front chassis disconnects
- Hold-in facility
- 10,000 cycles tested



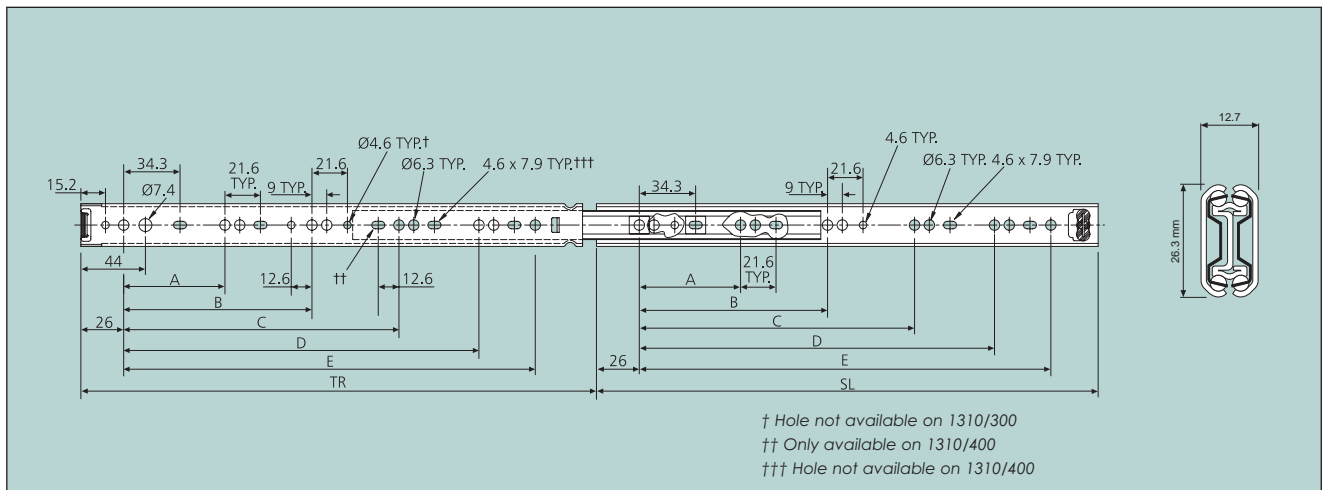
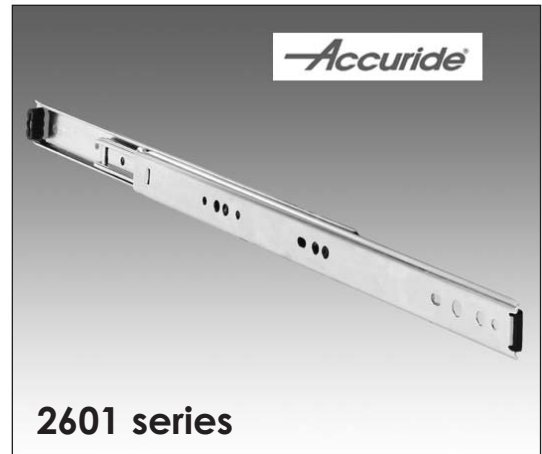
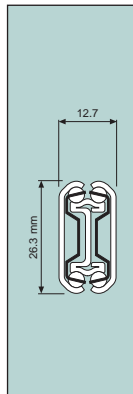
Part No.	SL	Travel	A	B	C	D	E	F	G	H	I	Weight	Load
1295/1250	250	163	96	-	-	-	-	192	-	-	-	0.49	50
1295/1300	300	205	96	-	-	-	-	242	224	-	-	0.56	50
1295/1350	350	260	128	-	-	-	-	292	224	-	-	0.69	50
1295/1400	400	281	128	-	-	-	-	342	224	-	320	0.77	45
1295/1450	450	331	128	224	-	-	-	392	224	-	352	0.84	45
1295/1500	500	376	128	224	-	-	-	442	224	-	416	0.94	45
1295/1550	550	415	128	224	320	-	-	492	224	352	**	1.05	40
1295/1600	600	451	128	224	320	-	-	542	224	352	480	1.13	40
1295/1650	650	488	128	224	320	416	544	592	224	352	544	1.25	35
1295/1700	700	526	128	224	288	416	-	642	224	352	544	1.37	35

- Notes:
- All dimensions in mm.
 - All weights in kg.
 - Load ratings quoted per pair.
 - Load ratings shown are representative of a wide range of typical applications and take into consideration factors which can adversely affect performance. Please contact us with specific application details where load ratings are critical.
 - Stock items listed have a bright zinc-plate finish.
 - Black zinc-plate finish available on request, subject to minimum order quantities.
 - Optional bracketry available on request.
 - Recommended fixing with M4 screws.

Accuride: Telescopic Slides

THREE BEAM SLIDES - 'MINISLIDE'

- Load rating up to 45kg per pair
- 100% extension
- 12.7mm slide thickness
- Low profile - 26.3mm high
- Hold-in facility
- 80,000 cycles tested



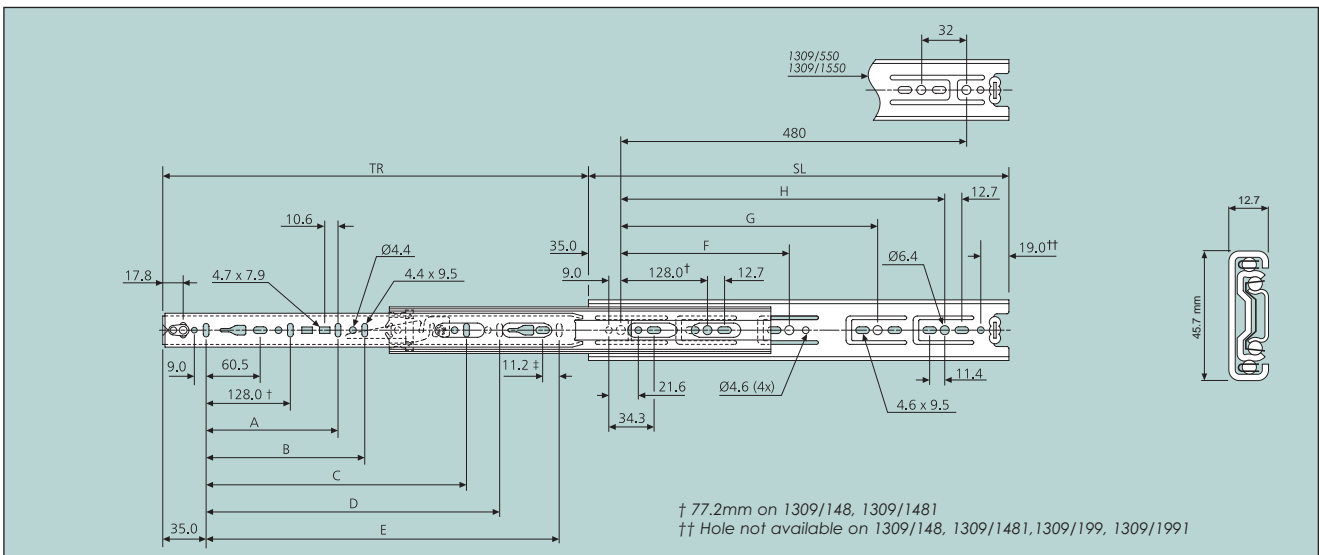
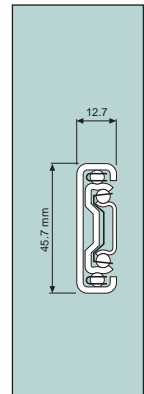
Part No.	SL	Travel	A	B	C	D	E	Weight	Load
1310/150*	150	147.5	78.0	-	-	-	-	0.35	12
1310/200	200	209	128	-	-	-	-	0.46	16
1310/250	250	259	128	-	-	-	-	0.61	25
1310/300	300	308	128	224	-	-	-	0.73	35
1310/350	350	357	128	224	-	-	-	0.85	35
1310/400	400	406	128	224	320	-	-	0.97	45
1310/450	450	456	128	224	352	-	-	1.09	45
1310/500	500	505	128	224	352	416	-	1.21	35
1310/550	550	554	128	224	352	448	489	1.34	30

- Notes:
- All dimensions in mm. • All weights in kg. • Load ratings quoted per pair.
 - Load ratings shown are representative of a wide range of typical applications and take into consideration factors which can adversely affect performance. Please contact us with specific application details where load ratings are critical.
 - Stock items listed have a bright zinc-plate finish.
 - * Non stock items subject to lead time and minimum order quantities - call for details.
 - Recommended fixing with M4 screws/ 6mm Euro screw. Maximum head @ 2mm/Ø7.8mm.
 - Horizontal mounting **NOT** recommended.



THREE BEAM SLIDES - 'SUPERSLIM'

- Load rating up to 50kg per pair
- 100% extension
- 12.7mm slide thickness
- Front chassis disconnects
- Hold-in facility
(refer b18 & b19 for alternate options)
- Integral drawer cam adjuster
- 10,000 cycles tested



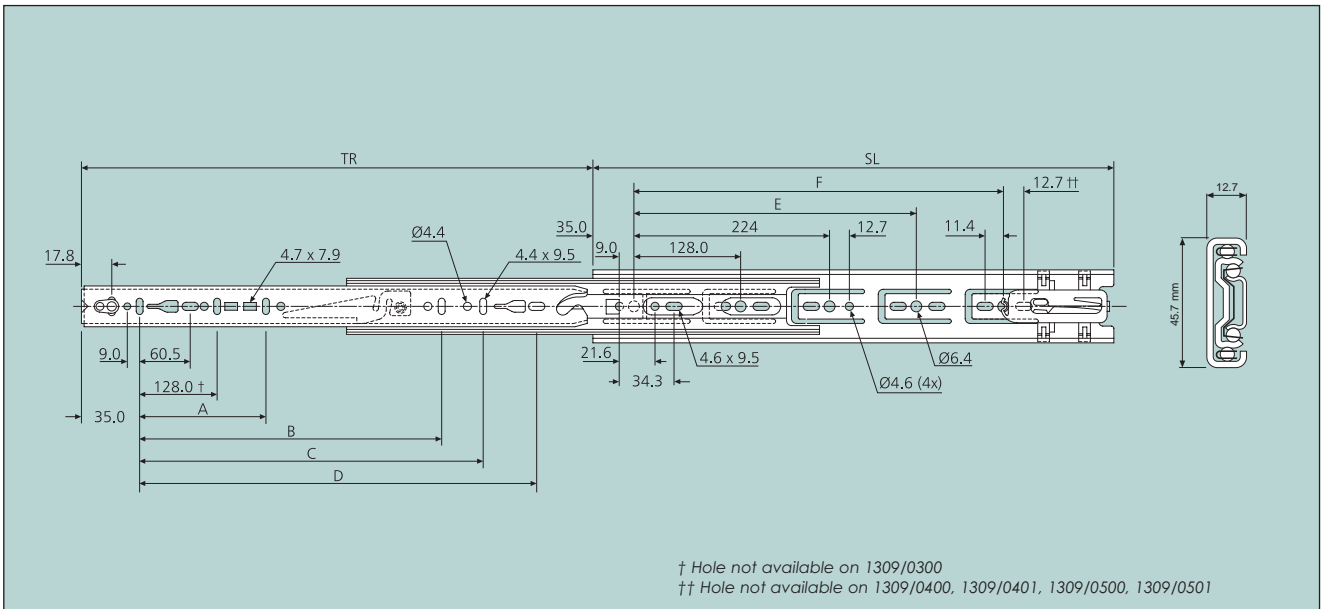
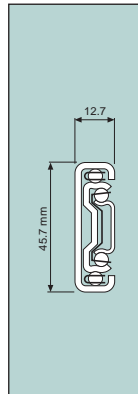
DB - Part No.	DZ - Part No.	SL	Travel	A	B	C	D	E	F	G	H	Weight	Load
1309/148*	1309/1148*	148	140	-	-	-	-	-	-	-	-	0.44	50
1309/199*	1309/1199*	199	203	-	-	-	-	141	-	-	-	0.62	50
1309/250	1309/1250	250	243	-	-	-	-	192	-	-	-	0.79	50
1309/300	1309/1300	300	305	-	-	-	-	242	224	-	-	0.95	50
1309/350	1309/1350	350	356	-	-	-	-	292	224	-	-	1.10	50
1309/400	1309/1400	400	406	-	-	-	-	342	224	320	-	1.27	50
1309/450	1309/1450	450	457	-	-	320	-	392	224	352	-	1.42	50
1309/500	1309/1500	500	508	-	-	320	-	442	224	416	-	1.58	50
1309/550	1309/1550	550	559	-	-	320	416	492	224	352	448	1.75	50
1309/600	1309/1600	600	610	224	-	416	-	542	224	352	480	1.91	50
1309/650	1309/1650	650	660	224	-	416	544	592	224	352	544	2.06	50
1309/700	1309/1700	700	711	224	288	416	544	642	224	352	544	2.22	50

- Notes:
- All dimensions in mm. • All weights in kg. • Load ratings quoted per pair.
 - Load ratings shown are representative of a wide range of typical applications and take into consideration factors which can adversely affect performance. Please contact us with specific application details where load ratings are critical.
 - DB = black zinc plate, DZ = bright zinc plate (white electro plate available on request).
 - Optional bracketry available on request.
 - Recommended fixing with M4 screws.
 - Horizontal mounting NOT recommended.
 - * Non stock items subject to lead time and minimum order quantities - call for details.

Accuride: Telescopic Slides

THREE BEAM SLIDES - 'SUPERSLIM SELF CLOSE'

- Load rating up to 50kg per pair
- 100% extension
- 12.7mm slide thickness
- Front chassis disconnects
- Self close facility
(refer b17 & b19 for alternate options)
- Hold-in facility
- Integral drawer cam adjuster
- 10,000 cycles tested



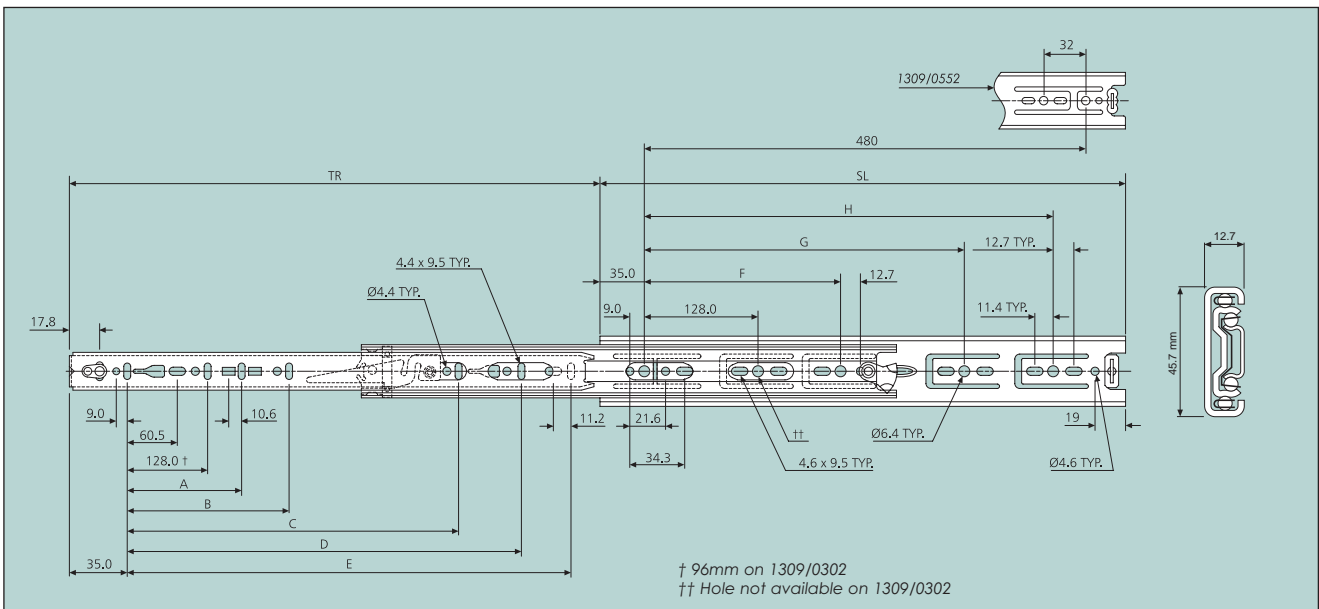
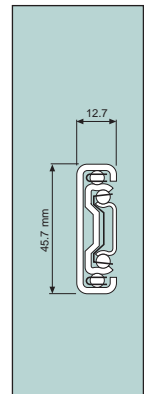
SC - Part No.	HDSC- Part No.	SL	Travel	A	B	C	D	E	F	Weight	Load
1309/0300	1309/0301	300	286	-	-	-	231	-	-	0.95	50
1309/0350	1309/0351	350	356	-	-	-	281	-	-	1.10	50
1309/0400	1309/0401	400	406	-	-	-	331	288	-	1.27	50
1309/0450	1309/0451	450	457	-	320	-	381	320	-	1.42	50
1309/0500	1309/0501	500	508	-	-	-	431	384	-	1.58	50
1309/0550	1309/0551	550	559	-	416	-	481	416	-	1.75	50
1309/0600	1309/0601	600	610	224	416	-	531	352	480	1.91	50
1309/0650	1309/0651	650	660	224	416	544	581	352	512	2.06	50

- Notes:
- All dimensions in mm. • All weights in kg. • Load ratings quoted per pair.
 - Load ratings shown are representative of a wide range of typical applications and take into consideration factors which can adversely affect performance. Please contact us with specific application details where load ratings are critical.
 - SC: 1.4kg to 2.7kg closing/opening force
 - HDSC: 2.7kg to 4.1kg closing/opening force.
 - Stock items listed have a bright zinc-plate finish.
 - Optional bracketry available on request.
 - Recommended fixing with M4 screws.
 - Horizontal mounting NOT recommended.



THREE BEAM SLIDES - 'SUPERSLIM HOLD OUT'

- Load rating up to 50kg per pair
- 100% extension
- 12.7mm slide thickness
- Front chassis disconnects
- Hold-out facility
(refer b17 & b18 for alternate options)
- Hold-in facility
- Integral drawer cam adjuster
- 10,000 cycles tested



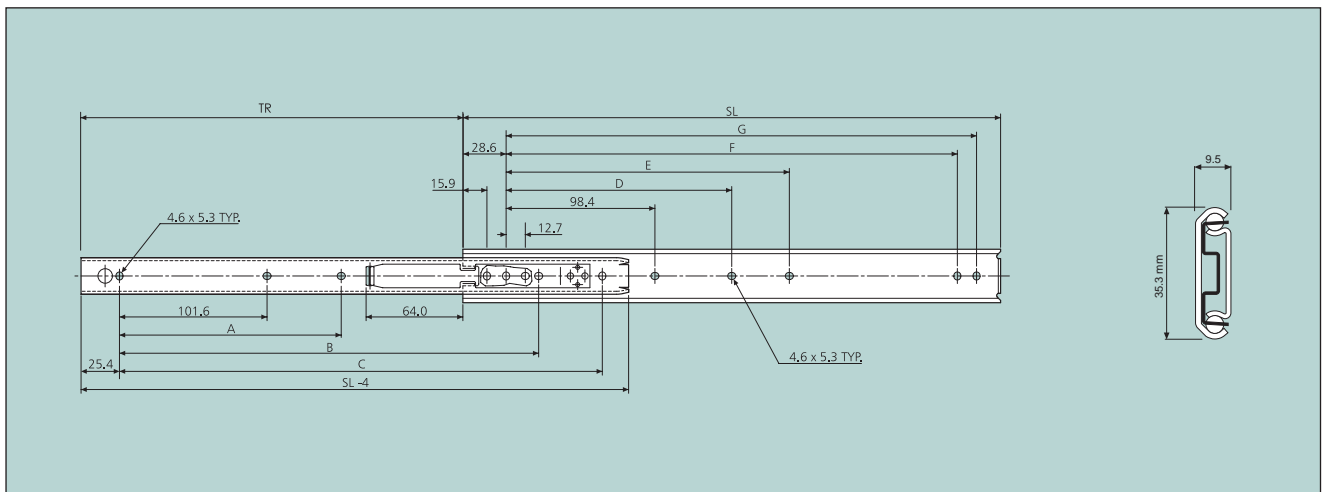
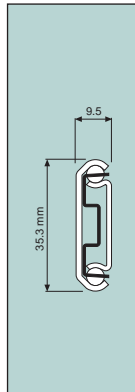
Part No.	SL	Travel	A	B	C	D	E	F	G	H	Weight	Load
1309/0302	300	305	-	-	-	-	242	224	-	-	0.95	50
1309/0352	350	356	-	-	-	-	292	224	-	-	1.10	50
1309/0402	400	406	-	-	-	-	342	224	320	-	1.27	50
1309/0452	450	457	-	-	320	-	392	-	352	-	1.42	50
1309/0502	500	508	-	-	320	-	442	-	416	-	1.58	50
1309/0552	550	559	-	-	320	416	492	-	352	-	1.75	50
1309/0602	600	610	224	-	416	-	542	224	352	480	1.91	50
1309/0652	650	660	224	-	416	544	592	224	352	544	2.06	50
1309/0702	700	711	224	288	416	544	642	224	352	544	2.22	50

- Notes:
- All dimensions in mm.
 - All weights in kg.
 - Load ratings quoted per pair.
 - Load ratings shown are representative of a wide range of typical applications and take into consideration factors which can adversely affect performance. Please contact us with specific application details where load ratings are critical.
 - Stock items listed have a bright zinc-plate finish.
 - Optional bracketry available on request.
 - Recommended fixing with M4 screws.
 - Horizontal mounting NOT recommended.

Accuride: Telescopic Slides

TWO BEAM SLIDES

- Load rating up to 65kg per pair
- 75% extension
- 9.5mm slide thickness
- Front chassis disconnects
- Lock-out facility
- 10,000 cycles tested



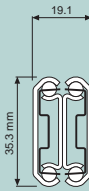
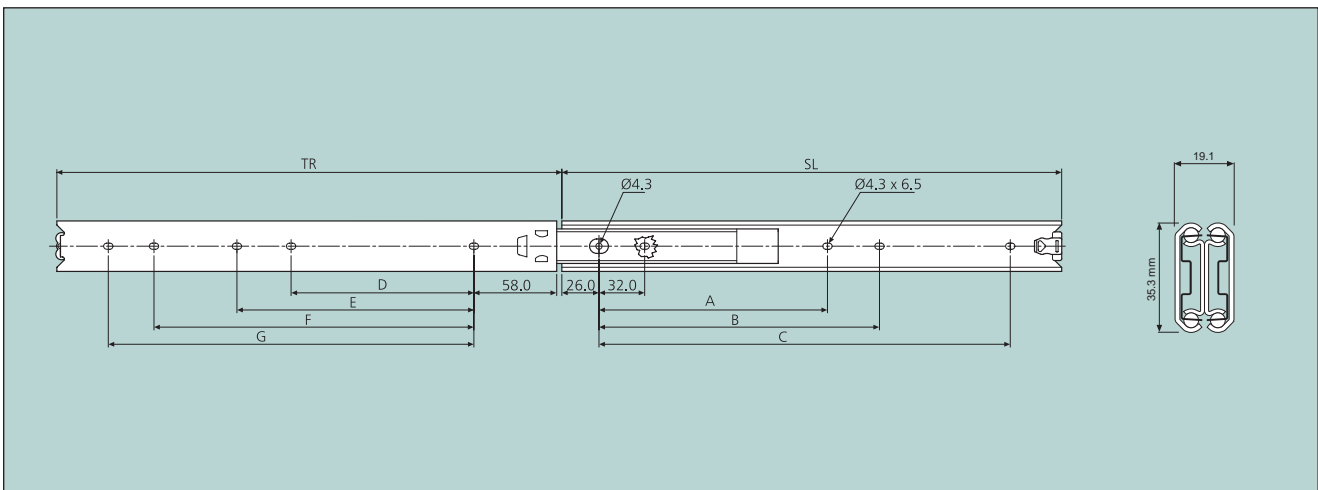
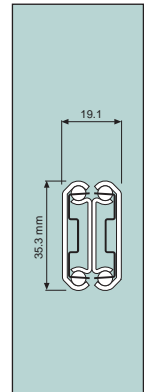
Part No.	SL	Travel	A	B	C	D	E	F	G	Weight	Load
1298/305*	305	201.5	-	215.9	254.0	-	136.5	247.6	260.3	0.63	65
1298/356*	356	252.5	-	266.7	304.8	-	187.3	298.4	311.1	0.73	65
1298/406	406	303.0	-	317.5	355.6	-	238.1	349.2	361.9	0.84	60
1298/457*	457	329.0	203.2	342.9	406.4	200.0	288.9	400.0	412.7	0.94	55
1298/508*	508	379.5	228.6	393.7	457.2	225.4	339.7	450.8	463.5	1.05	50
1298/559*	559	405.0	254.0	419.1	508.0	250.8	390.5	501.6	514.3	1.15	40
1298/609	610	430.5	279.4	444.5	558.8	276.2	441.3	552.4	565.1	1.27	35
1298/660*	660	481.5	304.8	495.3	609.6	301.6	492.1	603.2	615.9	1.37	30
1298/711*	711	506.5	330.2	520.7	660.4	327.0	542.9	654.0	666.7	1.47	30

- Notes:
- All dimensions in mm. • All weights in kg. • Load ratings quoted per pair.
 - Load ratings shown are representative of a wide range of typical applications and take into consideration factors which can adversely affect performance. Please contact us with specific application details where load ratings are critical.
 - * Non stock items subject to lead time and minimum order quantities - call for details.
 - Stock items listed have a bright zinc-plate finish.
 - Optional bracketry available on request.
 - Recommended fixing with M4 screws.



THREE BEAM SLIDES - STAINLESS STEEL

- Load rating up to 65kg per pair
- 100% extension
- 19.1mm slide thickness
- High grade stainless steel (1.4301x5 CrNi 1810)
- Hold-in facility
- 80,000 cycles tested



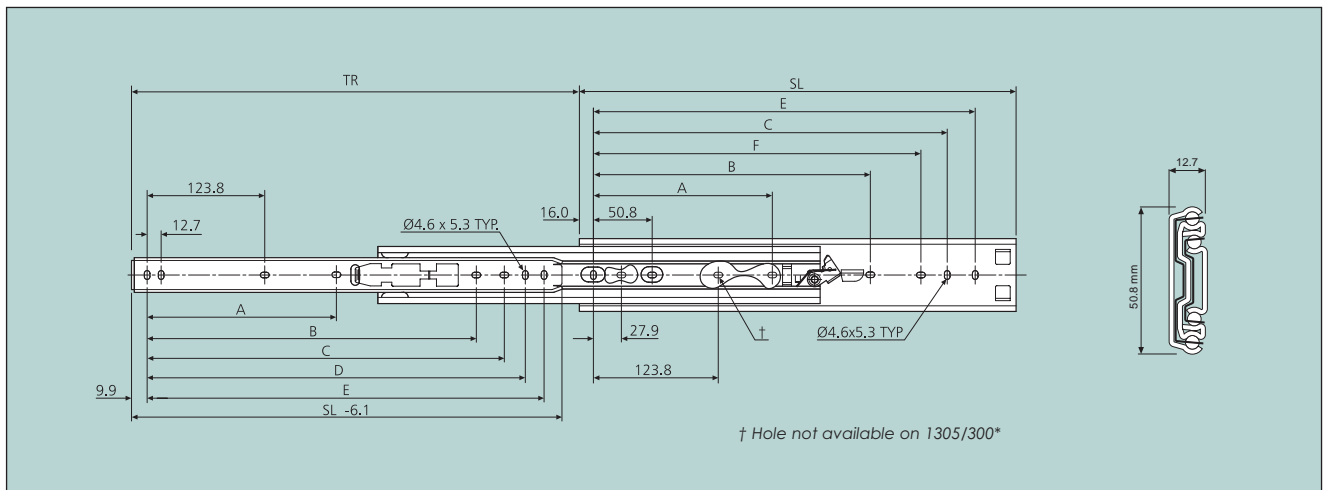
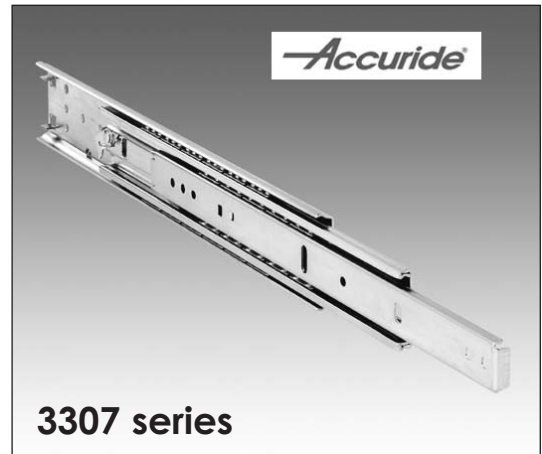
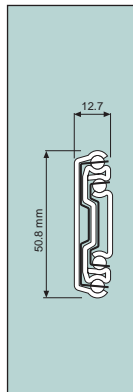
Part No.	SL	Travel	A	B	C	D	E	F	G	Weight	Load
1312/300*	300	304.5	-	192	224	-	-	192	224	1.15	50
1312/350*	350	354.0	-	224	256	-	-	224	256	1.36	55
1312/400*	400	403.0	-	192	320	160	-	288	320	1.46	55
1312/450	450	452.0	-	224	352	192	-	320	352	1.66	65
1312/500*	500	501.0	256	288	416	224	256	384	416	1.88	55
1312/550	550	550.5	288	320	480	256	288	416	448	2.06	50
1312/600*	600	600.0	320	352	512	288	320	480	512	2.27	45
1312/700*	700	698.0	352	384	608	320	352	576	608	2.70	35

- Notes:
- All dimensions in mm.
 - All weights in kg.
 - Load ratings quoted per pair.
 - Load ratings shown are representative of a wide range of typical applications and take into consideration factors which can adversely affect performance. Please contact us with specific application details where load ratings are critical.
 - * Non stock items subject to lead time and minimum order quantities - call for details.
 - Recommended fixing with M4 screws.

Accuride: Telescopic Slides

THREE BEAM SLIDES - 'SUPERPLUS'

- Load rating up to 68kg per pair
- 100%+ extension
- 12.7mm slide thickness
- Front chassis disconnects
- Lock-out facility
- Fixing hardware pack included
- 10,000 cycles tested



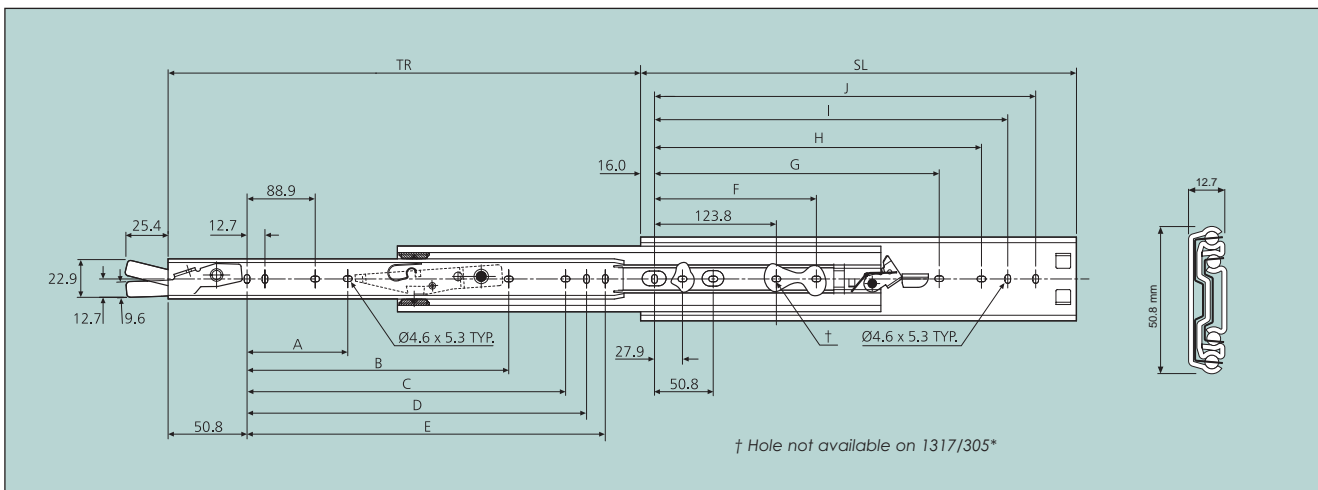
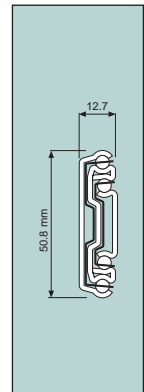
Part No.	SL	Travel	A	B	C	D	E	F	Weight	Load
1305/300*	305	330	-	-	234.9	247.6	260.3	209.5	1.20	68
1305/350*	356	381	-	-	285.7	298.4	311.1	260.3	1.41	67
1305/400*	406	432	-	-	336.5	349.2	361.9	311.1	1.59	67
1305/450	457	483	177.8	314.4	387.3	400.0	412.7	361.9	1.82	66
1305/500	508	533	203.2	365.2	438.1	450.8	463.5	412.7	2.00	66
1305/550	559	584	228.6	416.0	488.9	501.6	514.3	463.5	2.23	64
1305/600	610	635	254.0	466.8	539.7	552.4	565.1	514.3	2.41	61
1305/660	660	686	279.4	517.6	590.5	603.2	615.9	565.1	2.64	58
1305/711*	711	737	304.8	568.4	641.3	654.0	666.7	615.9	2.81	55

- Notes:
- All dimensions in mm. • All weights in kg. • Load ratings quoted per pair.
 - Load ratings shown are representative of a wide range of typical applications and take into consideration factors which can adversely affect performance. Please contact us with specific application details where load ratings are critical.
 - * Non stock items subject to lead time and minimum order quantities - call for details.
 - Stock items listed have a bright zinc-plate finish.
 - Optional bracketry available on request.
 - Recommended fixing with M4 screws.



THREE BEAM SLIDES - 'DUOLOCK'

- Load rating up to 68kg per pair
- 100%+ extension
- 12.7mm slide thickness
- Lock-in facility
- Lock-out facility
- Front chassis disconnects
- Fixing hardware pack included
- 10,000 cycles tested



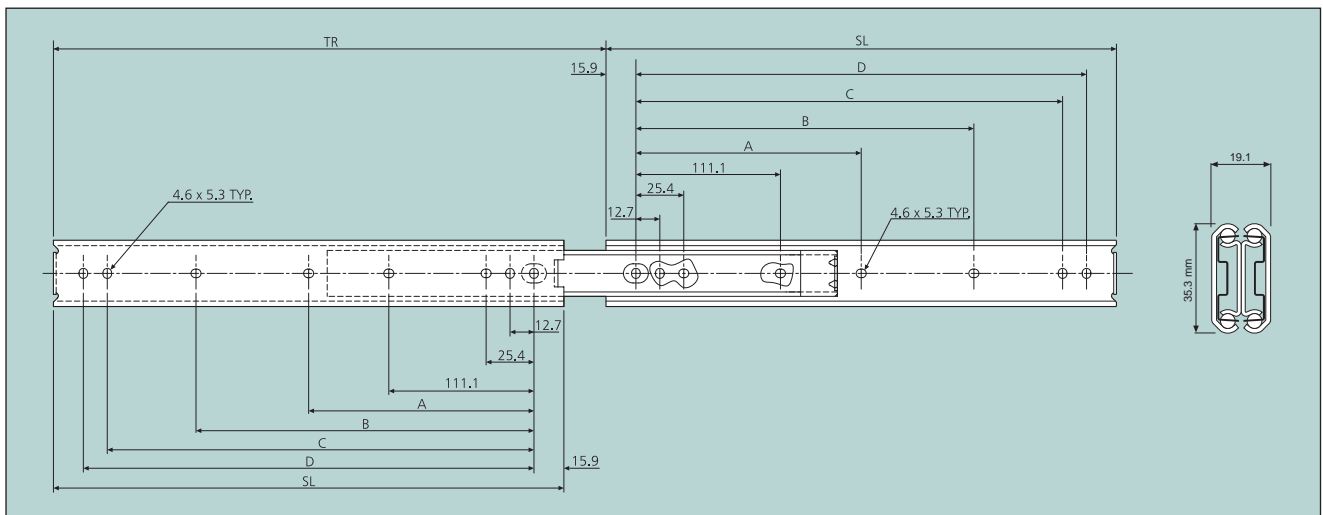
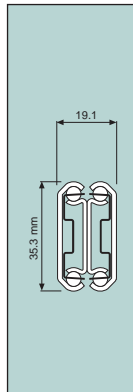
Part No.	SL	Travel	A	B	C	D	E	F	G	H	I	J	Weight	Load
1317/305*	305	330	-	-	220.1	212.8	225.5	-	-	209.5	234.9	260.3	1.25	68
1317/356*	356	381	-	-	250.9	263.6	276.3	-	-	260.3	285.7	311.1	1.41	67
1317/406*	406	432	-	-	301.7	314.4	327.1	-	-	311.1	336.5	361.9	1.59	67
1317/457*	457	483	143.0	279.4	352.5	365.2	377.9	177.8	314.4	361.9	387.3	412.7	1.82	66
1317/508*	508	533	168.4	330.2	403.3	416.0	428.7	203.2	365.2	412.7	438.1	463.5	2.00	66
1317/559*	559	584	193.8	381.0	454.1	466.8	479.5	228.6	416.0	463.5	488.9	514.3	2.23	64
1317/610*	610	635	219.2	431.8	504.9	517.6	530.3	254.0	466.8	514.3	539.7	565.1	2.41	61
1317/660*	660	686	244.6	482.6	555.7	568.4	581.1	279.4	517.6	565.1	590.5	615.9	2.78	58
1317/711*	711	737	270.0	533.4	606.5	619.2	631.9	304.8	568.4	615.9	641.3	666.7	2.96	55

- Notes:
- All dimensions in mm.
 - All weights in kg.
 - Load ratings quoted per pair.
 - Load ratings shown are representative of a wide range of typical applications and take into consideration factors which can adversely affect performance. Please contact us with specific application details where load ratings are critical.
 - * Non stock items subject to lead time and minimum order quantities - call for details.
 - Stock items listed have a bright zinc-plate finish.
 - Optional bracketry available on request.
 - Recommended fixing with M4 screws.

Accuride: Telescopic Slides

THREE BEAM SLIDES - 'MAXSLIDE'

- Load rating up to 70kg per pair
- 100%+ extension
- 19.1mm slide thickness
- Low profile - 35.3mm high
- 10,000 cycles tested



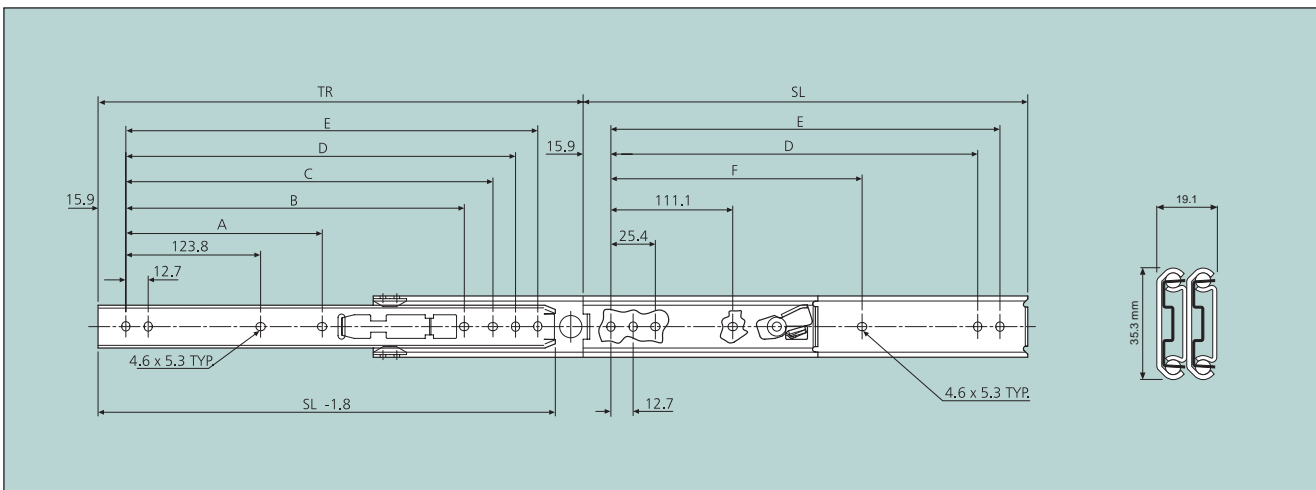
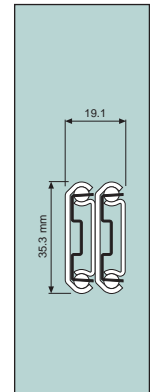
Part No.	SL	Travel	A	B	C	D	Weight	Load
1311/304	305	327	-	149.2	260.3	273.0	1.31	70
1311/356*	356	378	-	200.0	311.1	323.8	1.57	67
1311/406*	406	429	-	250.8	361.9	374.6	1.80	65
1311/457*	457	480	212.7	301.6	412.7	425.4	2.02	63
1311/508	508	530	238.1	352.4	463.5	476.2	2.27	60
1311/559*	559	581	263.5	403.2	514.3	527.0	2.51	55
1311/609*	610	632	288.9	454.0	565.1	577.8	2.73	50
1311/660	660	683	314.3	504.8	615.9	628.6	2.93	45
1311/711	711	734	339.7	555.6	666.7	679.4	3.13	40

- Notes:
- All dimensions in mm. • All weights in kg. • Load ratings quoted per pair.
 - Load ratings shown are representative of a wide range of typical applications and take into consideration factors which can adversely affect performance. Please contact us with specific application details where load ratings are critical.
 - * Non stock items subject to lead time and minimum order quantities - call for details.
 - Stock items listed have a bright zinc-plate finish.
 - Optional bracketry available on request.
 - Recommended fixing with M4 screws.



THREE BEAM SLIDES - 'RECESSABLE'

- Load rating up to 70kg per pair
- 100%+ extension
- 19.1mm slide thickness
- 10mm side space when recessed
- Front chassis disconnects
- Lock-out facility
- 10,000 cycles tested



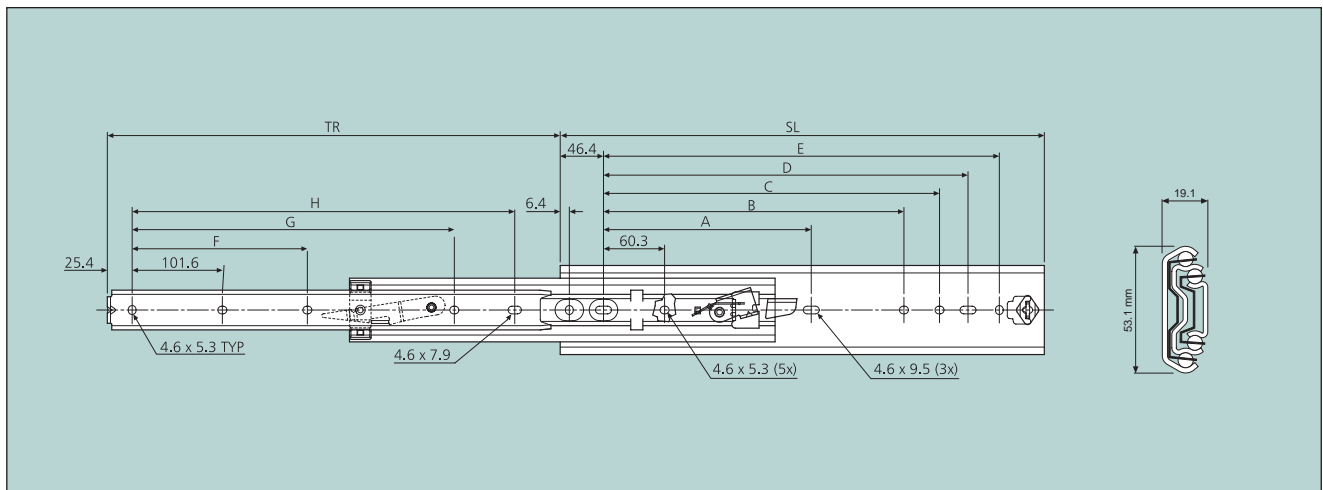
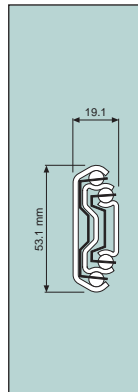
Part No.	SL	Travel	A	B	C	D	E	F	Weight	Load
1313/305*	305	327.0	-	-	-	260.3	273.0	-	1.21	64
1313/355	356	378.0	-	-	298.4	311.1	323.8	-	1.42	60
1313/406	406	429.0	-	-	349.2	361.9	374.6	250.8	1.63	65
1313/457	457	479.5	212.7	-	400.0	412.7	425.4	301.6	1.81	70
1313/508*	508	530.5	238.1	365.2	450.8	463.5	476.2	352.4	2.03	65
1313/558	559	581.0	263.5	415.9	501.6	514.3	527.0	403.2	2.24	60
1313/609	610	632.0	288.9	466.7	552.4	565.1	577.8	454.0	2.46	55
1313/682*	660	683.0	314.3	517.7	603.2	615.9	628.6	504.8	2.68	39
1313/711*	711	733.5	339.7	568.3	654.0	666.7	679.4	555.6	2.90	36

- Notes:
- All dimensions in mm.
 - All weights in kg.
 - Load ratings quoted per pair.
 - Load ratings shown are representative of a wide range of typical applications and take into consideration factors which can adversely affect performance. Please contact us with specific application details where load ratings are critical.
 - * Non stock items subject to lead time and minimum order quantities - call for details.
 - Stock items listed have a bright zinc-plate finish.
 - Optional bracketry available on request.
 - Recommended fixing with M4 screws.

Accuride: Telescopic Slides

THREE BEAM SLIDES - 'MONOLOCK'

- Load rating up to 120kg per pair
- 100% extension
- 19.1mm slide thickness
- Front chassis disconnects
- Lock-out facility
- Fixing hardware pack included
- 10,000 cycles tested



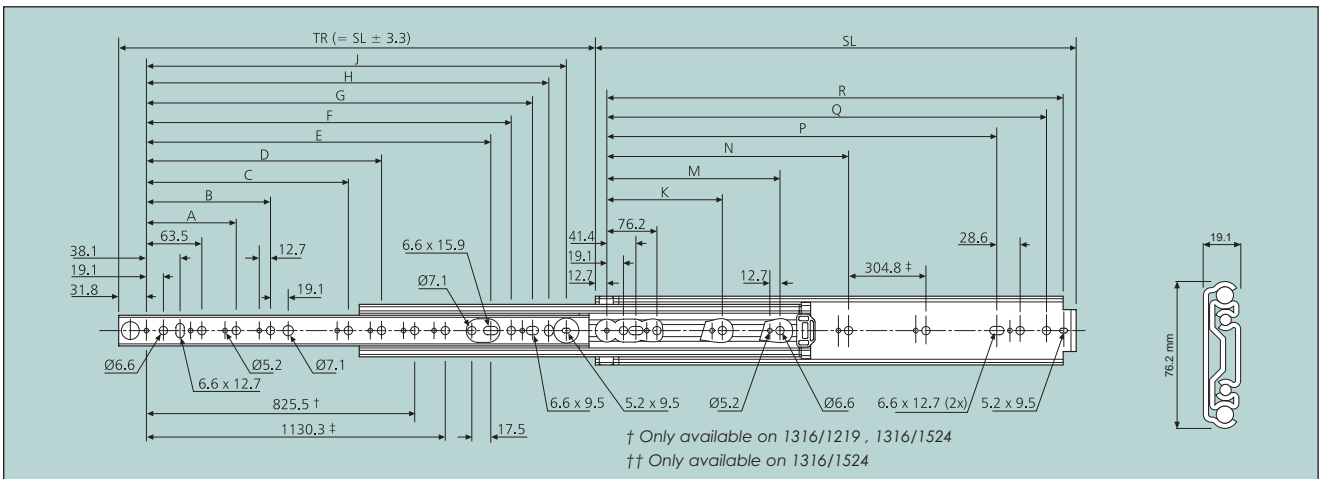
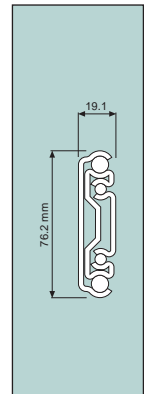
Part No.	SL	Travel	A	B	C	D	E	F	G	H	Weight	Load
1318/305*	305	305	-	135.4	179.1	204.5	229.9	-	-	228.6	1.71	90
1318/356	356	356	-	186.2	229.9	255.3	280.7	-	-	279.4	2.02	90
1318/406*	406	406	-	237.0	280.7	306.1	331.5	-	257.3	330.2	2.27	100
1318/457*	457	457	-	287.8	331.5	356.9	382.3	-	308.1	381.0	2.62	110
1318/508*	508	508	215.9	338.6	382.3	407.7	433.1	203.2	358.9	431.8	2.93	120
1318/559*	559	559	241.3	389.4	433.1	458.5	483.9	228.6	409.7	482.6	3.24	110
1318/610*	610	610	266.7	440.2	483.9	509.3	534.7	254.0	460.5	533.4	3.53	100
1318/660*	660	660	292.1	491.0	534.7	560.1	585.5	279.4	511.3	584.2	3.83	92
1318/711*	711	711	317.5	541.8	585.5	610.9	636.3	304.8	562.1	635.0	4.16	83

- Notes:
- All dimensions in mm.
 - All weights in kg.
 - Load ratings quoted per pair.
 - Load ratings shown are representative of a wide range of typical applications and take into consideration factors which can adversely affect performance. Please contact us with specific application details where load ratings are critical.
 - * Non stock items subject to lead time and minimum order quantities - call for details.
 - Stock items listed have a bright zinc-plate finish.
 - Optional bracketry available on request.
 - Recommended fixing with M4 screws.



THREE BEAM SLIDES - 'ULTRASLIDE'

- Load rating up to 227kg per pair
- 100% extension
- 19.1mm slide thickness
- Lengths up to 1.5m
- 10,000 cycles tested



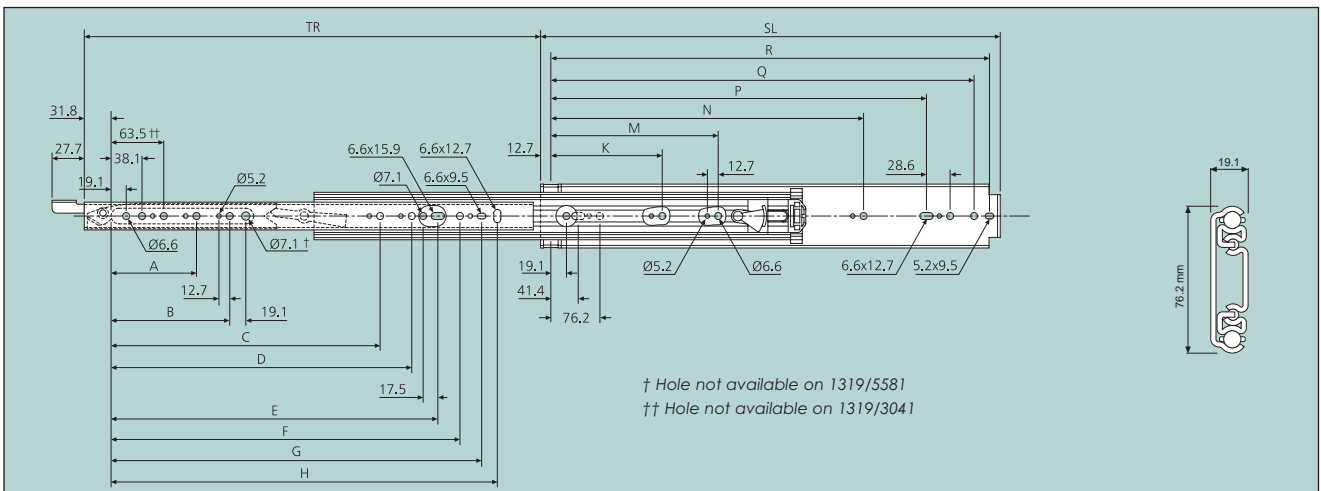
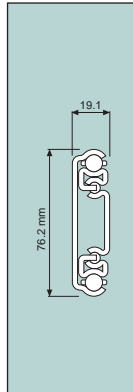
Part No.	SL	Travel	A	B	C	D	E	F	G	H	J	K	M	N	P	Q	R	Weight	Load
1316/254*	254.0	254.0	-	-	-	-	-	103.1	128.5	142.6	166.6	-	-	-	152.4	209.6	228.6	1.20	227
1316/0304	304.8	304.8	-	-	-	-	-	153.9	179.3	198.4	217.4	-	-	-	203.2	260.4	279.4	3.07	227
1316/0355	355.6	355.6	-	-	-	-	-	204.7	230.1	249.2	268.2	-	-	-	254.0	311.2	330.2	3.63	227
1316/0406	406.4	406.4	127.0	-	-	-	-	255.5	280.9	300.0	319.0	-	-	-	304.8	362.0	381.0	4.09	227
1316/0457	457.2	457.2	127.0	-	-	-	246.1	306.3	331.7	350.8	369.8	-	-	-	355.6	412.8	431.8	4.55	227
1316/0508	508.0	508.0	127.0	190.5	-	-	296.9	357.1	382.5	401.6	420.6	-	-	-	406.4	463.6	482.6	5.11	227
1316/0558	558.8	558.8	127.0	190.5	-	-	347.7	407.9	433.3	452.4	471.4	-	-	-	457.2	514.4	533.4	5.68	227
1316/0609	609.6	609.6	127.0	190.5	-	-	398.5	458.7	484.1	503.2	522.2	-	-	-	508.0	565.2	584.2	6.14	227
1316/0660	660.4	660.4	127.0	190.5	-	-	449.3	509.5	534.9	554.0	573.0	-	-	-	558.8	616.0	635.0	6.82	227
1316/0711	711.2	711.2	127.0	190.5	-	-	500.1	560.3	585.7	604.8	623.8	-	-	-	609.6	666.8	685.8	7.05	227
1316/0762	762.0	762.0	127.0	190.5	368.3	-	550.9	611.1	636.5	655.6	674.6	235.0	-	501.7	660.4	717.6	736.6	7.73	222
1316/0812	812.8	812.8	127.0	190.5	368.3	-	601.7	661.9	687.3	706.4	725.4	235.0	393.7	552.5	711.2	768.4	787.4	8.18	218
1316/0863	863.6	863.3	127.0	190.5	368.3	469.9	652.5	712.7	738.1	757.2	776.2	235.0	419.1	603.3	762.0	819.2	838.2	8.64	213
1316/0914	914.4	914.4	127.0	190.5	368.3	520.7	703.3	763.5	788.9	808.0	827.0	235.0	444.5	654.1	812.8	870.0	889.0	9.32	209
1316/1016	1016.0	1016.0	127.0	190.5	368.3	520.7	804.9	865.1	890.5	909.6	928.6	235.0	546.1	755.7	914.4	971.6	990.6	10.43	200
1316/1066	1066.8	1066.8	127.0	190.5	368.3	520.7	855.7	915.9	941.3	960.4	979.4	235.0	546.1	806.5	965.2	1022.4	1041.4	10.89	195
1316/1219	1219.2	1219.2	127.0	190.5	368.3	520.7	1008.1	1068.3	1093.7	1112.8	1131.8	235.0	596.9	958.9	1117.6	1174.8	1193.8	12.27	182
1316/1524	1524.0	1524.0	127.0	190.5	368.3	520.7	1312.9	1373.1	1398.5	1417.6	1436.6	235.0	596.9	958.9	1422.4	1479.6	1498.6	15.45	154

- Notes:
- All dimensions in mm. • All weights in kg. • Load ratings quoted per pair.
 - Load ratings shown are representative of a wide range of typical applications and take into consideration factors which can adversely affect performance. Please contact us with specific application details where load ratings are critical.
 - Stock items listed have a bright zinc-plate finish.
 - Refer to 1319 'ULTRALOCK' (page b28) for locking, companion slide.
 - Optional bracketry available on request.
 - Recommended fixing with M5 screws.
 - All fixing holes must be used to achieve maximum load rating.
 - **Caution - this slide must never be used as a pull-out step, platform or any other application supporting human weight.**

Accuride: Telescopic Slides

THREE BEAM SLIDES - 'ULTRALOCK'

- Load rating up to 227kg per pair
- 100% extension
- 19.1mm slide thickness
- Lock-in facility
- Lock-out facility with lever lock release
- 10,000 cycles tested



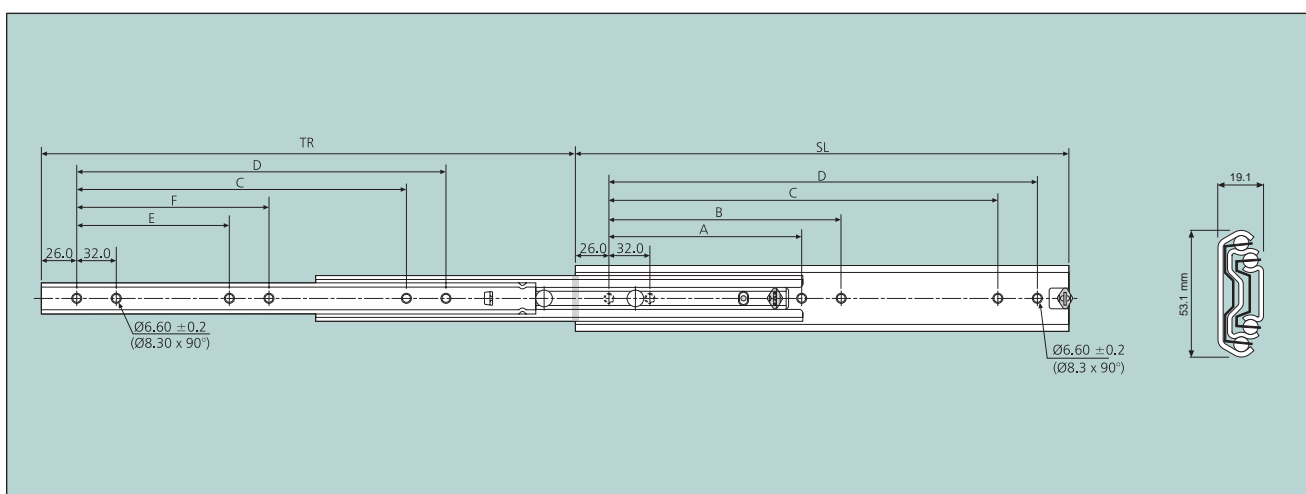
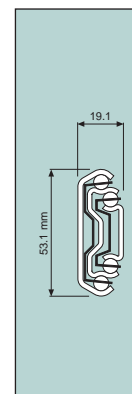
Part No.	SL	Travel	A	B	C	D	E	F	G	H	J	K	M	N	P	Q	R	Weight	Load	
1319/3041*	304.8	304.8	-	-	-	-	-	153.9	179.3	198.4	-	-	-	-	203.2	260.4	279.4	1.46	227	
1319/3551*	355.6	355.6	-	-	-	-	-	204.7	230.1	249.2	-	-	-	-	254.0	311.2	330.2	1.71	227	
1319/4061*	406.4	406.4	-	-	-	-	-	255.5	280.9	300.0	-	-	-	-	304.8	362.0	381.0	2.23	227	
1319/4571*	457.2	457.2	127.0	-	-	-	-	306.3	331.7	350.8	-	-	-	-	355.6	412.8	431.8	2.46	227	
1319/5081*	508.0	508.0	127.0	-	-	-	296.9	357.1	382.5	401.6	-	-	-	-	406.4	463.6	482.6	2.58	227	
1319/5581*	558.8	558.8	127.0	190.5	-	-	347.7	407.9	433.3	452.4	-	-	-	-	457.2	514.4	533.4	2.70	227	
1319/6091*	609.6	609.6	127.0	190.5	-	-	398.5	458.7	484.1	503.2	-	-	-	-	508.0	565.2	584.2	3.28	227	
1319/6601*	660.4	660.4	127.0	190.5	-	-	449.3	509.5	534.9	554.0	-	-	-	-	558.8	616.0	635.0	3.55	227	
1319/7111*	711.2	711.2	127.0	190.5	-	-	500.1	560.3	585.7	604.8	-	-	-	-	609.6	666.8	685.8	3.74	227	
1319/7621*	762.0	762.0	127.0	190.5	-	-	550.9	611.1	636.5	655.6	-	235.0	-	501.7	660.4	717.6	736.6	3.85	222	
1319/8121*	812.8	812.8	127.0	190.5	-	-	601.7	661.9	687.3	706.4	-	235.0	-	552.5	711.2	768.4	787.4	3.96	218	
1319/8631*	863.6	863.6	127.0	190.5	-	520.7	652.5	712.7	738.1	757.1	-	235.0	-	-	762.0	819.1	838.2	4.36	213	
1319/9141*	914.4	914.4	127.0	190.5	368.3	520.7	703.3	763.5	788.9	807.9	-	235.0	-	-	812.8	869.9	889.0	4.60	209	
1319/10161*	1016.0	1016.0	127.0	190.5	368.3	-	804.9	865.1	890.5	909.5	-	235.0	-	755.7	914.4	971.5	990.6	5.13	200	
1319/10661*	1066.8	1066.8	127.0	190.5	368.3	-	855.7	915.9	941.3	960.4	-	235.0	-	-	806.5	965.2	1022.4	1041.4	5.40	195
1319/12191*	1219.2	1219.2	127.0	190.5	368.3	520.7	1008.1	1068.3	1093.7	1112.8	-	235.0	-	-	958.9	1117.6	1174.8	1193.8	6.05	182
1319/15241*	1524.0	1524.0	127.0	190.5	368.3	520.7	1312.9	1373.1	1398.5	1417.8	-	235.0	596.9	958.9	1422.4	1479.5	1498.6	7.56	154	

- Notes:
- All dimensions in mm. • All weights in kg. • Load ratings quoted per pair.
 - Load ratings shown are representative of a wide range of typical applications and take into consideration factors which can adversely affect performance. Please contact us with specific application details where load ratings are critical.
 - Stock items listed have a bright zinc-plate finish.
 - **1319 (9308) slides are handed, please specify 'L' for left hand locking or 'R' for right hand locking, eg. 1319/3041-R**
 - Optional bracketry available on request.
 - Refer to 1316 'ULTRASLIDE' (page b27) for non locking, companion slide
 - Recommended fixing with M5 & M6 screws.
 - All fixing holes must be used to achieve maximum load rating.
 - **Caution - this slide must never be used as a pull-out step, platform or any other application supporting human weight.**



THREE BEAM SLIDES - 'SUPERSLIDE'

- Load rating up to 180kg per pair
- 100%+ extension
- 19.1mm slide thickness
- Hold-in facility
- 10,000 cycles tested



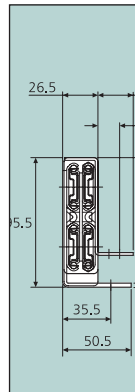
Part No.	SL	Travel	A	B	C	D	E	F	Weight	Load
1308/030*	300	323.5	-	-	192	224	-	-	1.80	140
1308/350	350	373.5	-	-	224	256	-	-	2.07	150
1308/400	400	423.5	160	192	288	320	128	160	2.37	160
1308/450	450	473.5	160	192	320	352	128	160	2.70	170
1308/500	500	523.5	192	224	384	416	160	192	3.00	180
1308/550	550	573.5	192	224	416	448	160	192	3.31	170
1308/600	600	623.5	256	288	480	512	192	256	3.62	160
1308/700	700	723.5	288	320	576	608	256	288	4.26	130
1308/790	790	803.5	352	384	672	704	320	352	4.80	100
1308/900*	900	923.5	448	480	768	800	384	416	5.57	90
1308/1000*	1000	1023.5	480	512	864	896	448	480	6.19	80
1308/1100*	1100	1123.5	544	576	992	1024	480	512	6.81	70

- Notes:
- All dimensions in mm.
 - All weights in kg.
 - Load ratings quoted per pair.
 - Load ratings shown are representative of a wide range of typical applications and take into consideration factors which can adversely affect performance. Please contact us with specific application details where load ratings are critical.
 - * Non stock items subject to lead time and minimum order quantities - call for details.
 - Stock items listed have a bright zinc-plate finish.
 - Optional bracketry available on request.
 - Recommended fixing with M5 countersunk/6mm countersunk euro screws.

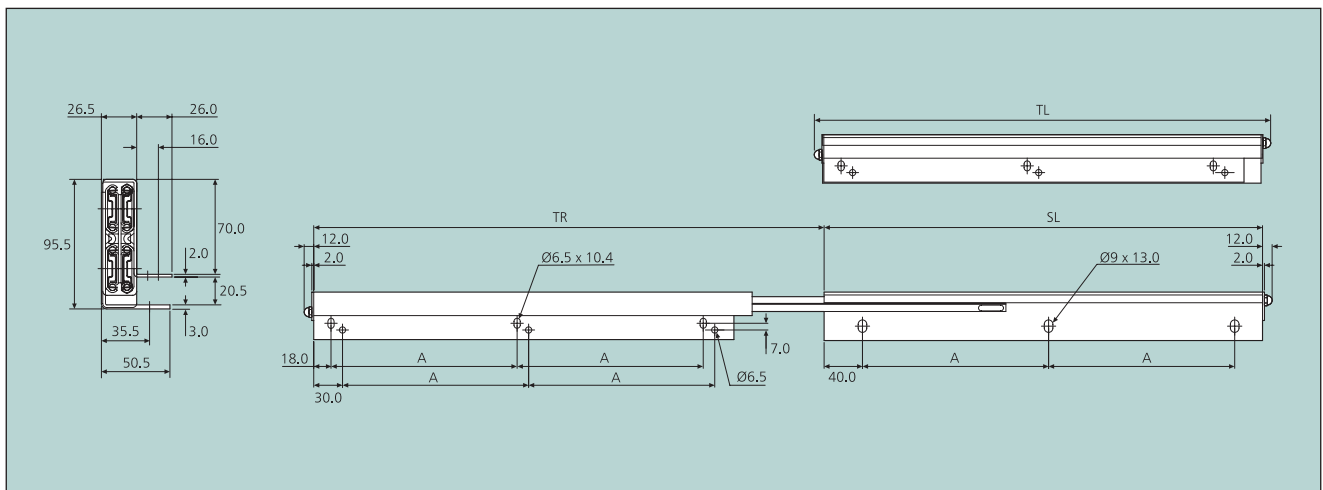
Accuride: Telescopic Slides

THREE BEAM 'MOBILE EQUIPMENT' SLIDES

- Load rating up to 180kg per pair
- 100%+ extension
- Heavy duty construction
- Vibration resistant shock blocks
- Protective shroud encased ball track
- Mounting plates on inner & outer members
- 10,000 cycles tested



0522 series



Part No.	SL	TL	Travel	A	Weight	Load
1307/4571 - LH	457	481	534.0	194.0	9.57	180
1307/4572 - RH						
1307/6001 - LH	600	624	625.0	265.0	12.7	180
1307/6002 - RH						
1307/9001 - LH*	900	924	907.0	276.5	19.25	150
1307/9002 - RH*						

- Notes:
- All dimensions in mm. • All weights in kg. • Load ratings quoted per pair & based on a 600mm slide in a 500mm drawer, cycled 10,000 times.
 - Load ratings shown are representative of a wide range of typical applications and take into consideration factors which can adversely affect performance. Please contact us with specific application details where load ratings are critical.
 - * Non stock items subject to lead time and minimum order quantities - call for details.
 - Stock items listed have a bright zinc-plate finish.
 - Recommended fixing with M6 screws on inner extending member & M8 screws on outer fixed member.
 - All fixing holes must be used to achieve maximum load rating.
 - **Caution - this slide must never be used as a pull-out step, platform or any other application supporting human weight.**