



Fender Moulding (76.43.54)

Removal

1. Remove the headlamp assembly. For additional information, refer to [Headlamp Assembly \(86.40.49\)](#) (Section 417-01)

2.  **WARNING: Do not work on or under a vehicle supported only by a jack. Always support the vehicle on safety stands.**

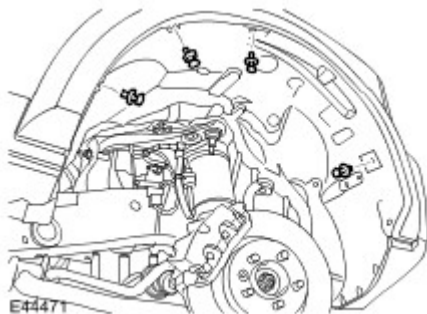
Raise and support the vehicle.

3. Remove the mud flap.
 Remove the 3 retaining screws.





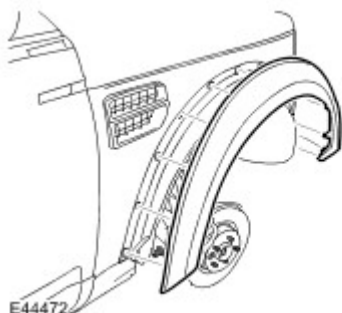
E44470

4. Remove the 4 retainers.



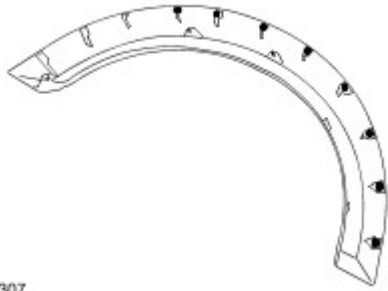
E44471

5. Remove the fender moulding.
 Remove the 2 screws.
 Carefully release the 10 clips.



E44472

- 6 . **NOTE:**
Do not disassemble further if the component is removed for access only.
Remove the clips from the moulding.



E53307

Installation

- 1 . To install, reverse the removal procedure.
- 2 . Install the headlamp assembly. For additional information, refer to [Headlamp Assembly \(86.40.49\)](#) (Section 417-01)