

Published: Nov 13, 2006

Transmission Fluid Drain and Refill (44.24.02)



WARNING: Observe due care when draining transmission fluid as the fluid can be very hot.



WARNING: Observe due care when working near a hot exhaust system.

1.

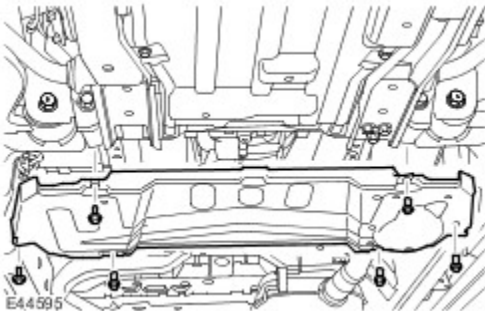


WARNING: Do not work on or under a vehicle supported only by a jack. Always support the vehicle on safety stands.

Raise and support the vehicle.

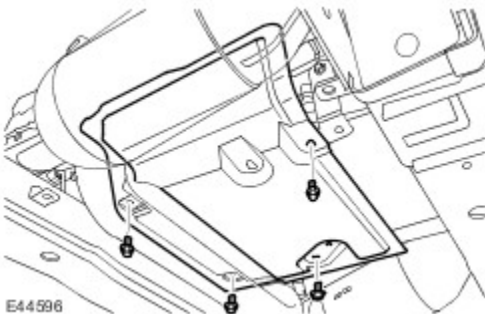
2. Remove the transmission undershield.

- Remove the 6 bolts.



3. If installed, remove the transmission heat shield.

- Remove the 4 bolts.



4. Clean the area around the transmission fluid drain and filler plugs.

5. Place a container under the transmission.

6.



WARNING: Observe due care when draining transmission fluid as the fluid can be very hot.



WARNING: Observe due care when working near a hot exhaust system.

Remove the transmission fluid filler/level plug.

- Remove and discard the sealing washer.



7. Remove the transmission fluid drain plug.

- Remove and discard the sealing washer.
- Allow the fluid to drain.



8. Install the transmission fluid drain plug and tighten to 9 Nm (7 lb.ft).

- Install a new sealing washer.

9. Add 3.5 to 4 liters of the correct transmission fluid, or until a small thread of fluid runs from the filler/level hole.

10. Check and top-up the transmission fluid level.

[Transmission Fluid Level Check \(44.24.06\)](#)