

## Transmission Fluid Drain and Refill (44.24.02)



**WARNING:** Observe due care when draining transmission fluid as the fluid can be very hot.



**WARNING:** Observe due care when working near a hot exhaust system.

1 .

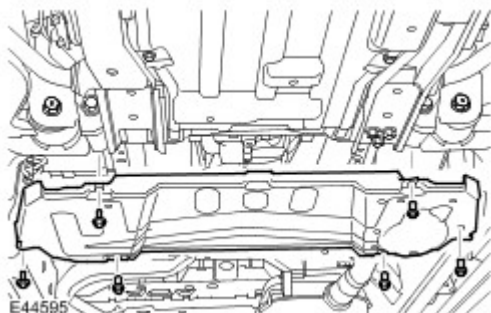


**WARNING:** Do not work on or under a vehicle supported only by a jack. Always support the vehicle on safety stands.

Raise and support the vehicle.

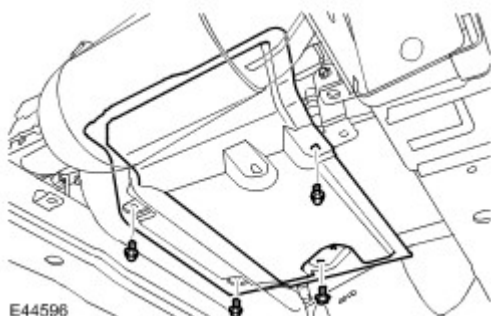
2 . Remove the transmission undershield.

- Remove the 6 bolts.



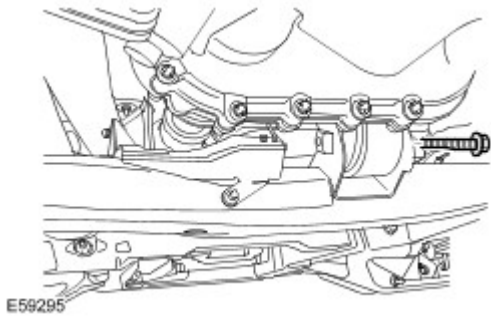
3 . If installed, remove the transmission heat shield.

- Remove the 4 bolts.



4 . Remove the transmission support insulator through-bolt.

- Raise the transmission to gain access to the fluid drain plug.



5 . Clean the area around the transmission fluid drain and filler plugs.

6 . Place a container under the transmission.

7 .



**WARNING: Observe due care when draining transmission fluid as the fluid can be very hot.**



**WARNING: Observe due care when working near a hot exhaust system.**

Remove the transmission fluid filler/level plug.

- Remove and discard the sealing washer.



8 . Remove the transmission fluid drain plug.

- Remove and discard the sealing washer.
- Allow the fluid to drain.



9 . Install the transmission fluid drain plug and tighten to 9 Nm (7 lb.ft).

- Install a new sealing washer.

- 10 . Install the transmission support insulator through-bolt and tighten to 175 Nm (129 lb.ft).
  - Lower the transmission.
  
- 11 . Add 3.5 to 4 litres of the correct transmission fluid, or until a small thread of fluid runs from the filler/level hole.
  
- 12 . Check and top-up the transmission fluid level.