

Front Door Trim Removal and Wing Mirror Replacement

The following instructions detail the removal and refitting of the front door trim and replacement of the Left Hand Side Wing Mirror



- 1) Unclip the 4 clips on the door handle. There are 2 clip on the top and two clips on the bottom. A small screw driver can be used to loosen the handle. Once the two bottom clips are loose, lift the handle upwards. Some force is required but too much and the clips can break resulting in a new door handle.



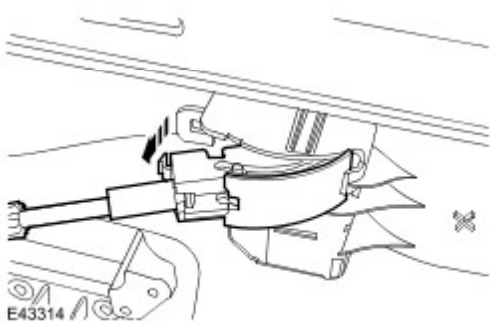
2) Remove the two screw covers and undo the 8 screws (Phillips) holding the door panel



3) Using a flat screwdriver or piece of plastic, prise the panel away from the door. I started from the bottom and worked around the left hand side then the right hand side. Finally, I pulled the panel away from the door from the top left and worked across to the speaker on the right hand side. The bottom and sides are secure by 12 plastic lugs (4 on the each side and 4 at the bottom) where as the top is secured by 5 metal clips.



4) Disconnect the door latch cable. This is a bit of a fiddle.



5) Remove the door trim by disconnecting the electrical connectors including puddle light. It may be easier if you leave the electric window connector until last.



- 6) With the panel off you then need to disconnect the two wing mirror electrical connectors and undo the 3 Torx screws securing the wing mirror.



- 7) With the screws removed the wing mirror can be removed from the door.

Refitting

- 8) Refitting is the reverse procedure but with a few of points to note
 - a. Reconnect the electrical connectors for the wing mirror first
 - b. Refit the door latch cable but make sure it is seated in the plastic cradle (as below) before connecting to the door panel



- c. Ensure the puddle lamp cable is pushed through the puddle lamp holder space before refitting the panel to the door so it doesn't get crimped
- 9) Reconnect all electrical connectors
- 10) Refit the door panel by securing the 4 clips at the bottom, then the left hand side followed by the right hand side. Finally make sure the wing mirror cables are clear of the door and panel before securing the clip above the speaker
- 11) Finally secure the metal clips at the top of the door panel.
- 12) Tighten screws
- 13) Install Screw Covers
- 14) Install door handle cover

- 15) You then need to attach the mirror glass to the wing mirror
- a. Firstly attach the two electrical connectors
 - b. To secure the glass you will need to clip the two lugs on the housing :



into the spaces on the back of the glass :



You then need to push the glass in and down to secure. This was the tense moment as too much pressure and the glass could break.

15) Job Done !