

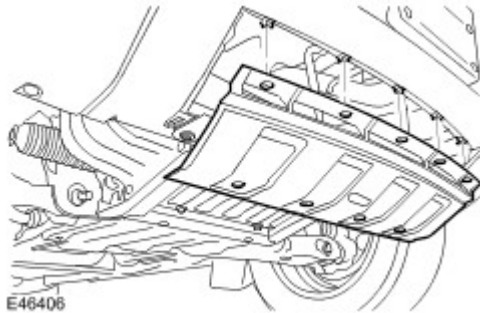
Published : May 13, 2004

Vehicle Recovery

Towing/Lashing eyes



CAUTION : The single towing/lashing eyes at the front and rear of the vehicle are designed for vehicle recovery purposes only and **MUST** not be used to tow a trailer or caravan.



The front towing/lashing eye is accessible after releasing the 9 toggle fasteners securing the towing eye access panel and removing the panel.



CAUTION : Ensure that during towing, the towing attachment does not contact the bumper.



The rear towing/lashing eye 'A' is accessible after releasing the 2 fasteners securing the access panel to the bumper and removing the panel.



CAUTION : This towing/lashing eye should only be used for towing another vehicle or for recovery purposes to enable this vehicle to be positioned in order that the front towing eye may be used for recovery/towing.

4 Wheel Towing



CAUTION : Suspended towing of this vehicle **MUST NOT** be attempted, if 4 wheel towing is not possible, vehicle must be recovered on a suitable trailer.



CAUTION : The vehicle may be towed for a maximum of 3 hours or 90 miles (150 km) at a maximum speed of 30 mph (50 km/h), these limits **MUST NOT** be exceeded.



CAUTION : The following procedures must be followed to ensure that the vehicle is towed in a safe condition and damage to the vehicle transmission system is prevented.

1. Remove the front towing/lashing eye access panel.
2. Secure the towing attachment from the recovery vehicle to the towing/lashing eye.



CAUTION : Ensure that the towing attachment will not contact the front bumper during towing.

3. Apply the parking brake.
4. Insert ignition key and turn the ignition switch to position 'II'.
5. **Manual gearbox:** Apply the footbrake and position the gear lever in 'N' - Neutral.



CAUTION : If 'N' - Neutral cannot be selected, front and rear propeller shafts must be removed before vehicle is towed.

6. **Automatic gearbox:** Apply the footbrake and move the selector lever to the 'N' Neutral position.

NOTE :

If electrical power is not available, use the manual interlock release tab on the selector lever to move the selector lever to the Neutral position.

All vehicles

7. Select 'H' - HIGH on the transfer box.

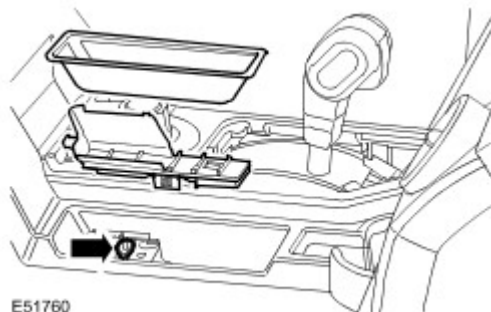


CAUTION : If electrical power is not available, and 'H' - HIGH cannot be selected, the vehicle may not be towed but must be recovered on a suitable trailer. If, however, transfer box was in 'H' - HIGH when electrical power was lost, vehicle may still be towed.

8. Release the parking brake.

NOTE :

If electrical power is not available, it will be necessary to release the parking brake manually using the following procedures:



NOTE :

Left hand drive illustrated, right hand drive on opposite side of centre console.

9. Lift out the coin tray from the centre console
10. Remove the access panel from the centre console.
11. Locate the electric parking brake release cable, insert a suitable tool through the cable eye and pull the cable

upwards to release the parking brake.



CAUTION : The electric parking brake will not function until electrical power is restored it will, therefore, be necessary to chock the wheels when vehicle is at a standstill.



WARNING : Do not release the parking brake until towing is about to commence. Whilst towing, do not attempt to remove the ignition key and do not turn the key to any position other than 'II'. With the engine switched off, the power assisted steering system and brake booster will be inoperative thereby resulting in an increase in the effort required to turn the steering wheel and apply the brakes.



CAUTION : The vehicle tow connections should only be used in normal road conditions, 'snatch' recovery must be avoided.

On completion of 4 wheel towing

1. Apply the parking brake or if electrical power is not available, securely chock the wheels.
2. Detach towing equipment from towing/lashing eyes.
3. Fit the towing eye access panel and secure the toggle fasteners.

Transporting by trailer



CAUTION : Use the towing/lashing eyes at the front and rear of the vehicle, **DO NOT** secure lashing hooks or restraints to any other part of the vehicle.

Position the vehicle, apply the parking brake and select 'N' - Neutral on the manual or automatic gearbox selector lever



CAUTION : If electrical power is not available and the parking brake is released, it will not be possible to re-apply the parking brake. It will, therefore be necessary to select 1st gear - manual gearbox or 'P' Park - automatic gearbox and ensure that the vehicle wheels are adequately chocked to prevent vehicle movement.