


## Front Bumper Cover (76.22.72)

### Removal

1.  **WARNING :** Do not work on or under a vehicle supported only by a jack. Always support the vehicle on safety stands.

Raise and support the vehicle.

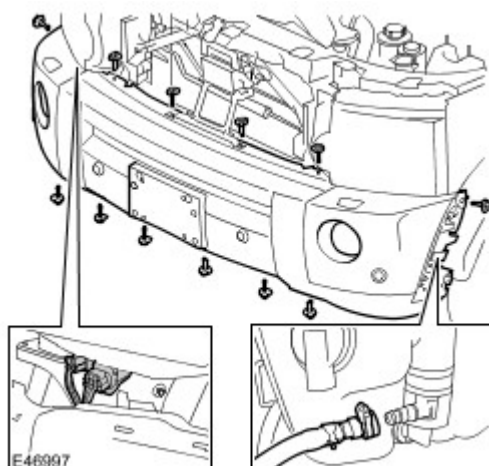
2. Remove the fender mouldings.  
For additional information, refer to : Exterior Trim and Ornamentation,501-08.
3. Remove the 14 front bumper cover screws.

4. **NOTE :**

Some fluid spillage is inevitable during this operation.

Remove the front bumper cover.

- ▶ Disconnect the 2 electrical connectors.
- ▶ Release the head lamp washer jet hose from the washer pump.
- ▶ Allow the fluid to drain into a container.



5. **NOTE :**

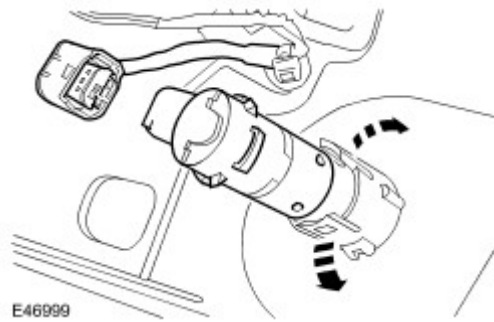
Do not disassemble further if the component is removed for access only.

Remove the washer jets.

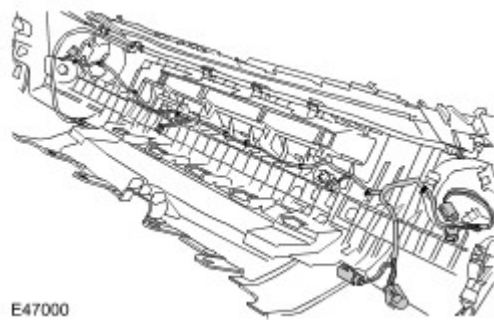
For additional information, refer to : Wipers and Washers, 501-16.

6. Remove the parking aid sensors.

- ▶ Disconnect the electrical connector.
- ▶ Release the 2 clips.
- ▶ Repeat the above procedure for the remaining 3 sensors.



- 7 . Remove the parking aid sensor wiring harness.
  - ▶ Remove the 9 securing straps.



- 8 . Remove the headlamp washer jet hose.
  - ▶ Release from the 5 clips.

## Installation

- 1 . Install the headlamp washer jet hose.
  - ▶ Secure in the 5 clips.
- 2 . Install the parking aid sensor wiring harness.
  - ▶ Install the securing straps.
- 3 . Install the parking aid sensors.
  - ▶ Connect the parking aid electrical connectors.
- 4 . Install the washer jets.
 

For additional information, refer to : Wipers and Washers, 501-16.
- 5 . Install the front bumper cover.
  - ▶ Connect the parking aid sensor wiring harness electrical connectors.
  - ▶ Connect the head lamp washer jet hose to the washer pump.
  - ▶ Install the screws.
- 6 . Install the fender mouldings.
 

For additional information, refer to : Exterior Trim and Ornamentation,501-08.