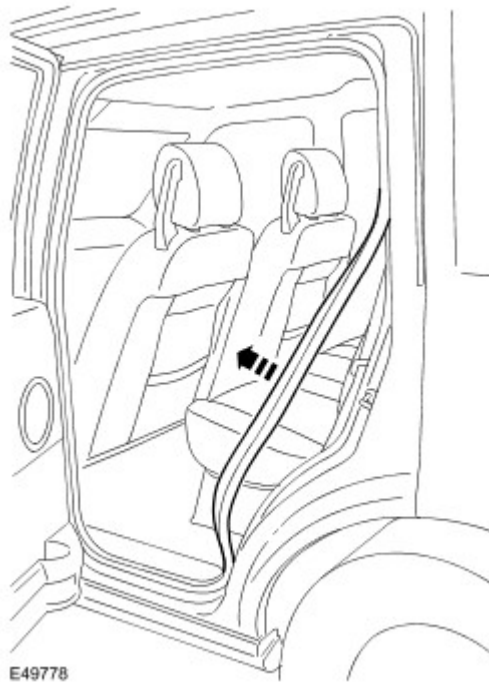


Published : Apr 28, 2004

## C-Pillar Lower Trim Panel (76.13.34)

### Removal

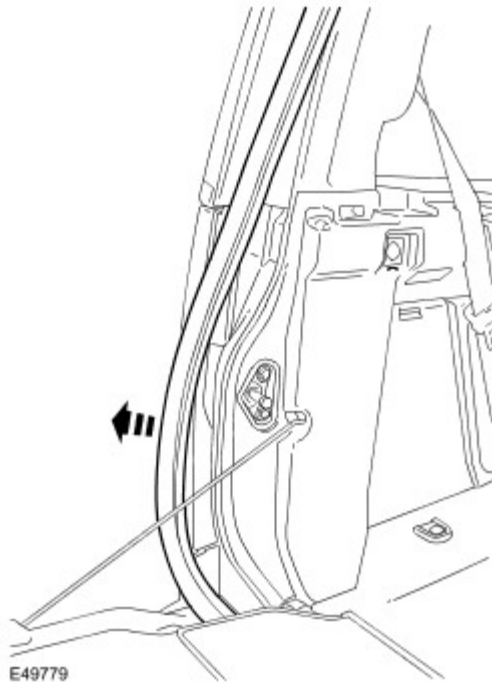
1. Fold down the rear seat backrest.
2. Release the door aperture weatherstrip.



3. Release the safety belt anchor.  
▶ Remove and discard the bolt.

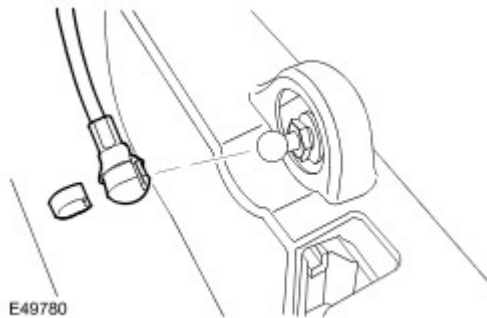


4. Release the tailgate aperture seal.



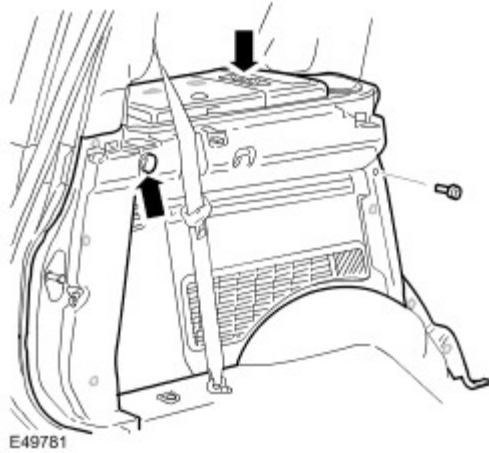
5. Remove the support spigot from the tailgate.

▶ Release the clip.

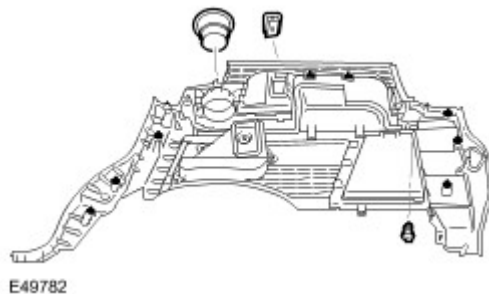


6. Remove the C-pillar lower trim panel.

▶ Remove the Torx screw.  
▶ Release the 8 clips.  
▶ Disconnect the 2 electrical connectors.



7. **NOTE :**  
Do not disassemble further if the component is removed for access only.  
Remove the stowage tray.  
▶ Release the cover.
8. Remove the audio control switch.  
▶ Release the 2 clips.
9. Remove the accessory socket.



## Installation

1. Install the accessory socket.
2. Install the audio control switch.  
▶ Secure the clips.
3. Install the stowage tray.  
▶ Install the cover.
4. Install the C-pillar lower trim panel.  
▶ Install the clips.  
Tighten the Torx screw to 8 Nm (6 lb.ft).



▶ Connect the electrical connector.

- 5 . Install the support spigot to the tailgate.
  - ▶ Install the clip.
- 6 . Install the tailgate aperture seal.
- 7 . Install the safety belt anchor.
  - ▶ Tighten the Torx bolt to 45 Nm (33 lb.ft).
- 8 . Install the door aperture weatherstrip.
- 9 . Return the seat backrest to the upright position.