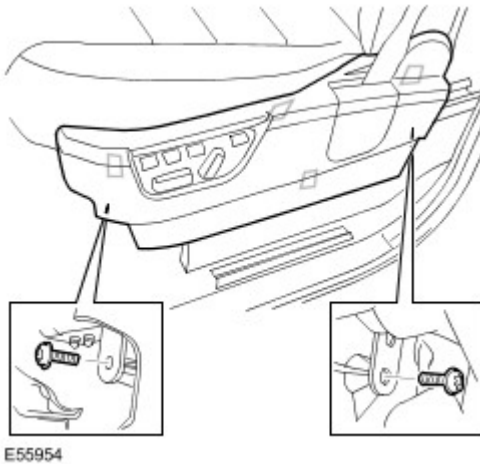


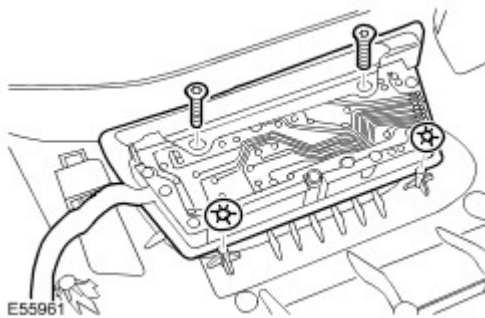
## Front Seat Control Switch (78.70.89)

### Removal

1. Remove the front seat cushion side finisher.
  - Remove the 2 screws.
  - Release from the 3 clips.



2. Remove the front seat control switch.
  - Disconnect the electrical connector.
  - Release the front seat control switch harness.
  - Remove the 2 screws.
  - Remove the 2 clips.



### Installation

1. Install the front seat cushion side finisher.
  - Secure in the clips.
  - Tighten the screws.
2. Install the front seat control switch.

- ▶ Secure in the clips.
- ▶ Tighten the screws.
- ▶ Connect the electrical connector.
- ▶ Attach the wiring harness.