


High Mounted Stoplamp (86.41.32)

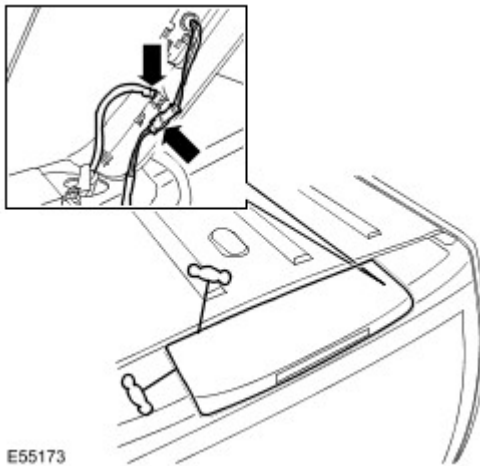
Removal

1. Disconnect the battery ground cable. For additional information, refer to [Specifications](#) (Section 414-00)

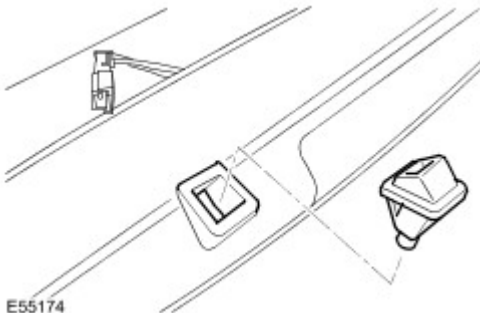
2.  **CAUTION: Always protect paintwork and glass when removing exterior components.**

Remove the high mounted stoplamp.

- ▶ Carefully cut through the sealant using a glazing knife.
- ▶ Disconnect the electrical connector.
- ▶ Disconnect the washer jet hose.



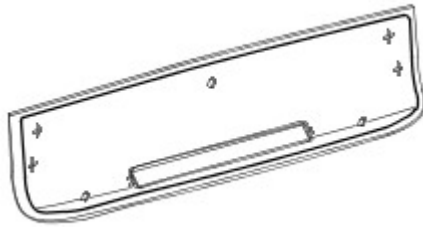
3. **NOTE :**
Do not disassemble further if the component is removed for access only.
Remove the washer jet.



Installation

1. Install the washer jet.

2. Carefully remove the sealant from the body to leave a smooth surface.
3. Install the high mounted stoplamp.
 - ▶ Check for correct alignment.
4. Remove the high mounted stoplamp.
5. Apply etch primer to any bare metal.
6. Apply primer over the etch primer.
7. Apply activator to the high mounted stoplamp.
8. Fit a pre-cut nozzle to the sealer cartridge, remove the lid, shake out the crystals and fit the cartridge to the applicator gun.
9. Apply an 8.0 mm (0.30 in) wide continuous bead of sealant, 15.0 mm (0.60 in) in, from the outer edge of the high mounted stoplamp as shown.



E551B3

10. Install the high mounted stoplamp.
 - ▶ Connect the washer jet hose.
 - ▶ Connect and secure the electrical connector.
11. Connect the battery ground cable. For additional information, refer to [Specifications](#) (Section 414-00)