



## Transmission Draining and Filling (37.24.01)



**CAUTION:** The fluid filler plug is not a fluid level plug.

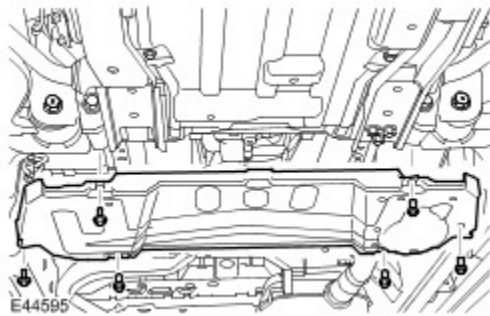
1.



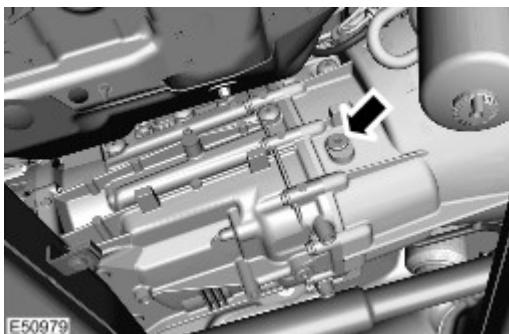
**WARNING:** Do not work on or under a vehicle supported only by a jack. Always support the vehicle on safety stands.

Raise and support the vehicle.

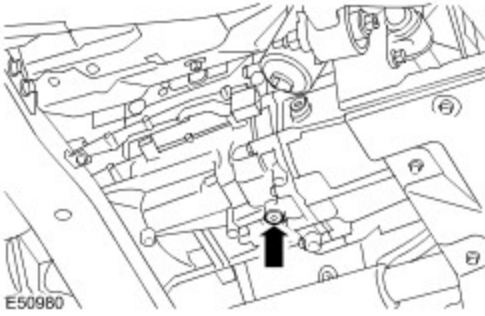
2. If installed, remove the transmission undershield.
  - Remove the 6 bolts.



3. Clean the area around the transmission fluid drain and filler plugs.
4. Place a container under the transmission.
5. Remove the transmission fluid filler plug.



6. Remove the transmission fluid drain plug.
  - Drain the transmission.



7 . Install a new transmission fluid drain plug and tighten it to 35 Nm (26 lb.ft).

8 .



**CAUTION: The fluid filler plug is not a fluid level plug.**

Fill transmission with 1.6 litres of the correct transmission fluid.

[Specifications](#)

9 . Install a new transmission fluid filler plug and tighten it to 35 Nm (26 lb.ft).

- Remove the container.

10 . If installed, install the transmission undershield.

- Tighten the bolts to 10 Nm (7 lb.ft).