

2017.0 DISCOVERY (LR), 102-05

TOWING

# DEPLOYABLE TOWBAR (G2011176)

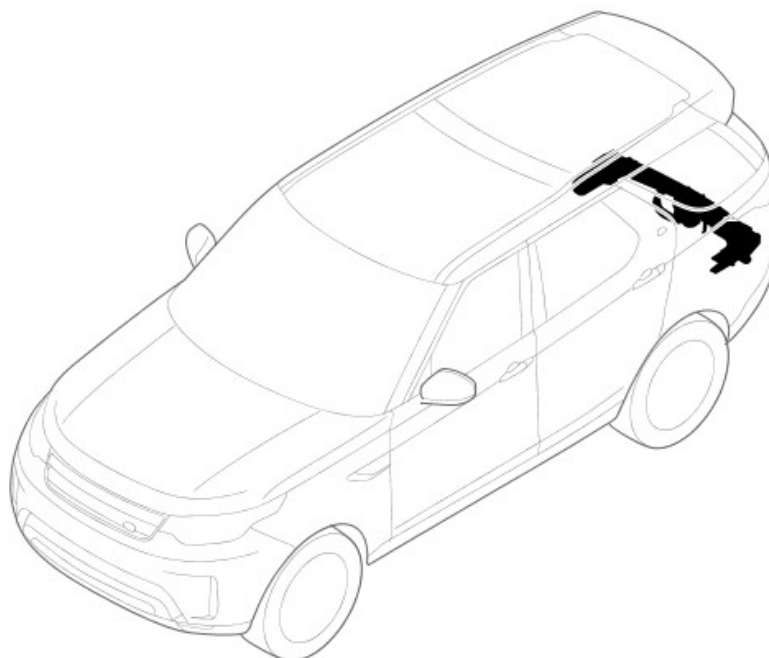
REMOVAL AND INSTALLATION

VPLRT0172, VPLRT0192



## WARNING:

Accessories which are not properly fitted can be dangerous. Read the instructions carefully prior to fitting. Whilst fitting, comply with instructions at all times. If in doubt, contact your nearest approved retailer.

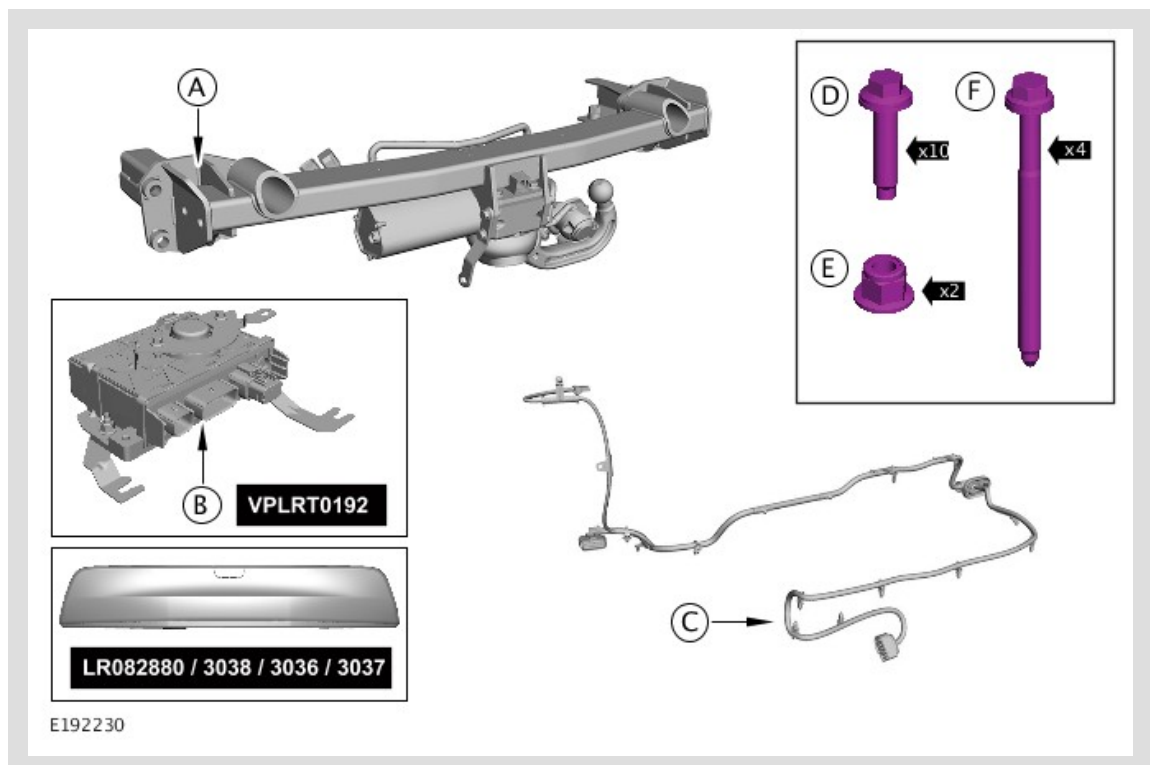


E197916

**NOTE:**

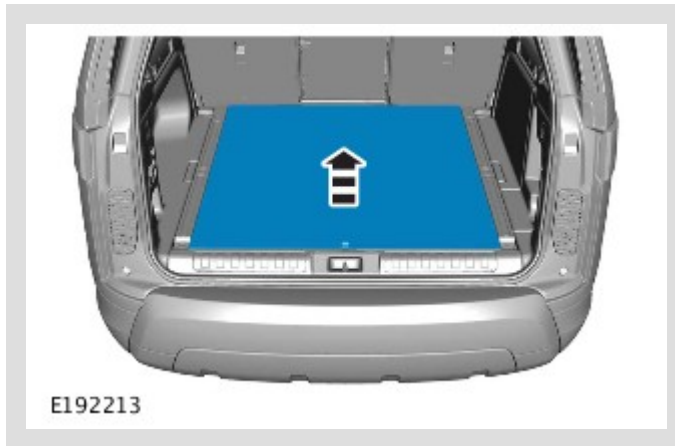
Motor Vehicle Data, Deployable Tow bar.

	SPECIFICATIONS
Type	Brink 5773
D-value	16.32 kN
Vertical coupling load	350 kg
Coupling class	A50-X
Manufacturer	Brink Towing Systems B.V.
Model application	Land Rover Discovery
EC-Type Approval No	E11 55R-0110726
Max. Trailer Weight	3500 kg



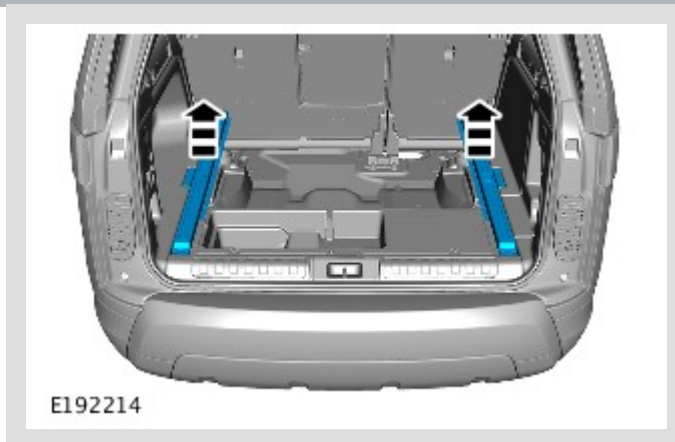
**REMOVAL**

1.



Remove the load space floor panel.

2.



Remove the load space trims.

3.

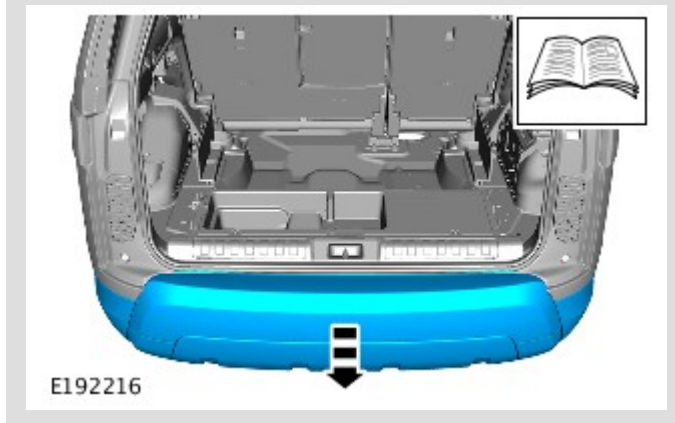


Remove the left load space Trim Panel.

For additional information, refer to: Loadspace Trim Panel LH

(501-05 Interior Trim and Ornamentation, Removal and Installation).

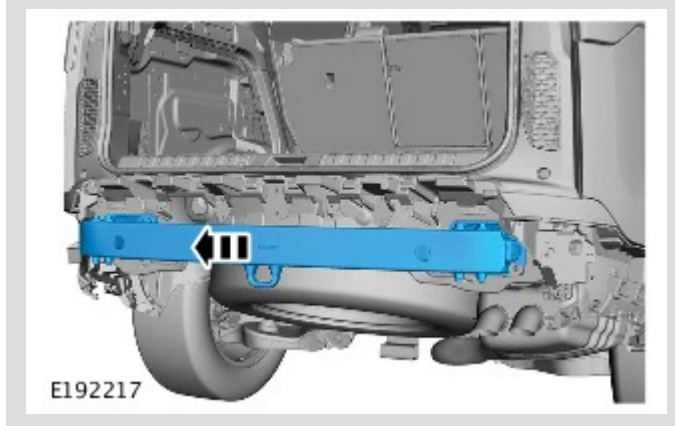
4.



Remove the rear bumper.

For additional information, refer to: Rear Bumper (501-19 Bumpers, Removal and Installation).

5.



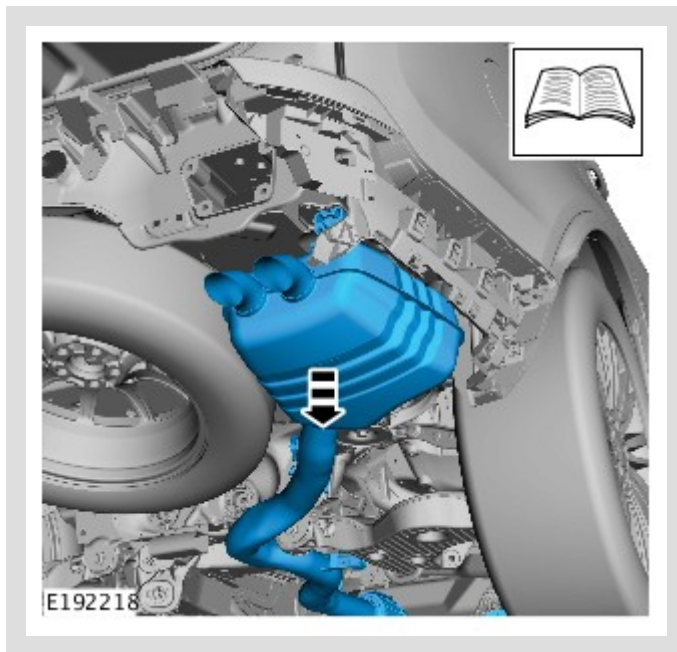
Remove and discard the armature.

Discard the bolts.

6.

 **NOTE:**

Repeat this step for the other side.



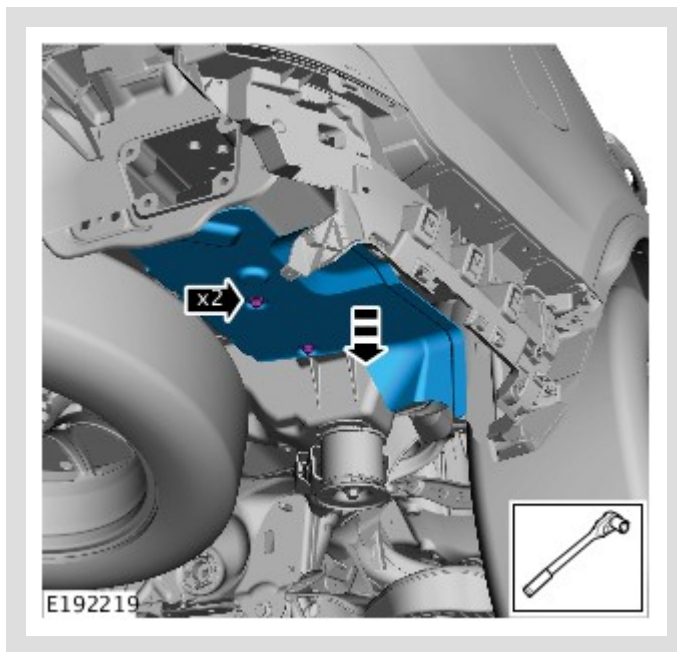
Release the exhaust mountings.

1. Lower the rear muffler.

7.

 **NOTE:**

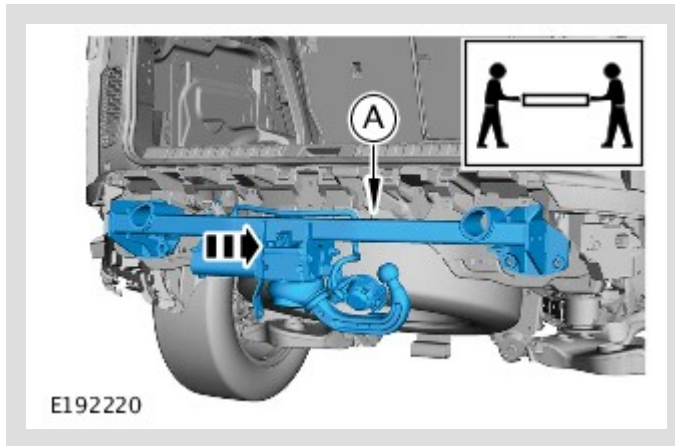
Repeat this step for the other side.



Remove the muffler heat shield.

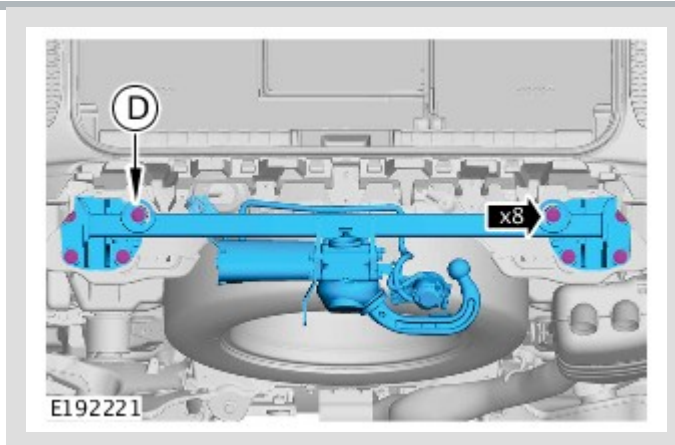
## INSTALLATION

1.



With the aid of another person, install the deployable towbar.

2.



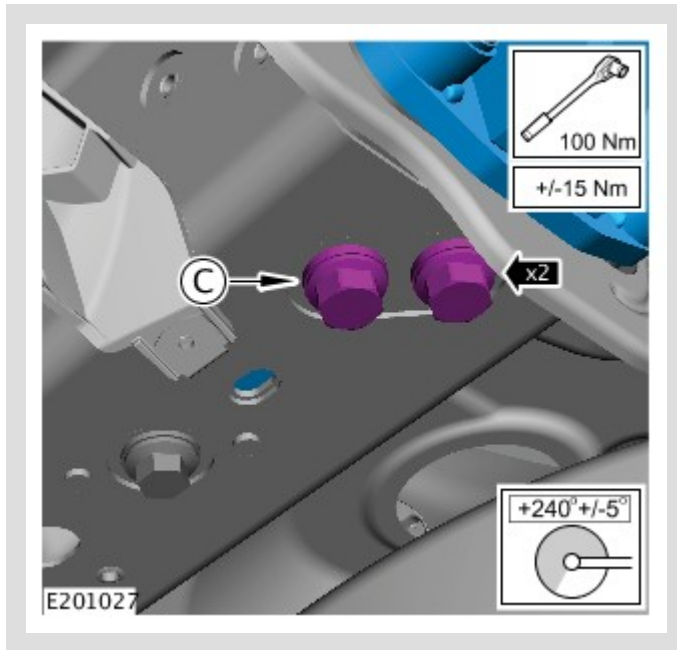
Install the bolts.

Torque: 100 Nm + 120°

3.

 **NOTE:**

Repeat this step for the other side.



Install the bolt.

Torque: 100 Nm + 240°

4.

 **NOTE:**

Repeat this step for the other side.

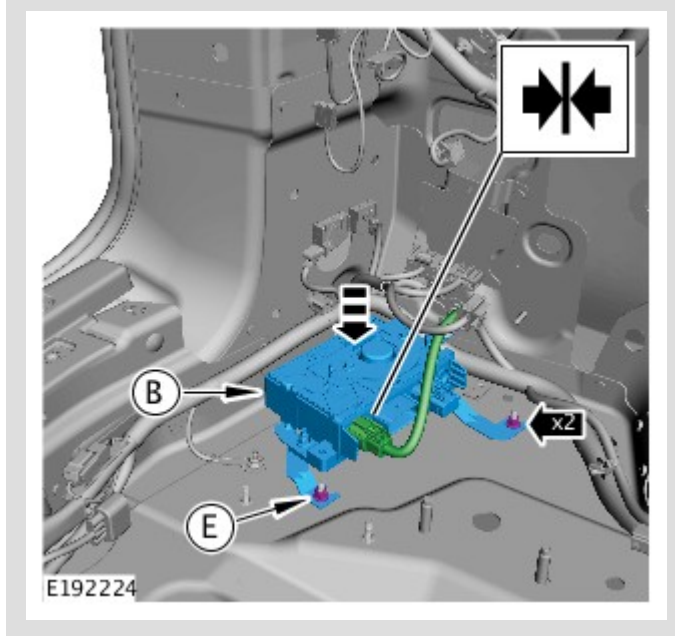


Install the bolt.



Torque: 100 Nm + 120°

5.

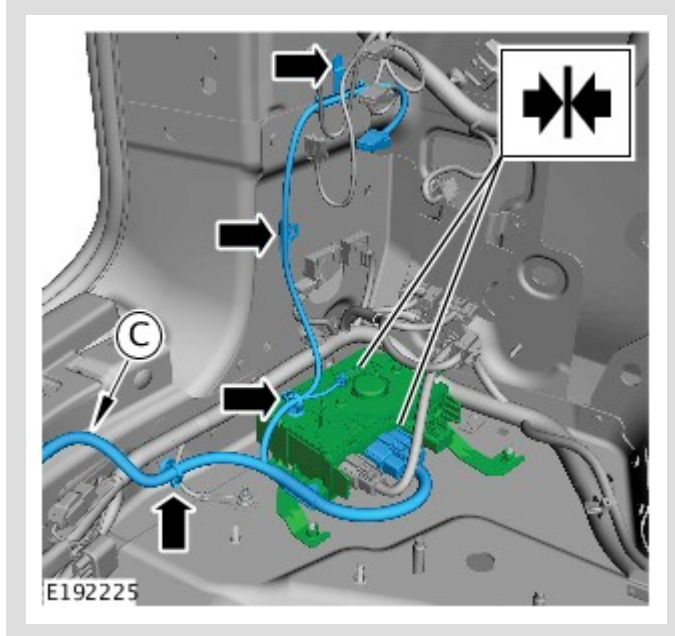


Install the towbar module.

Torque: 5 Nm.

Connect the electrical harness.

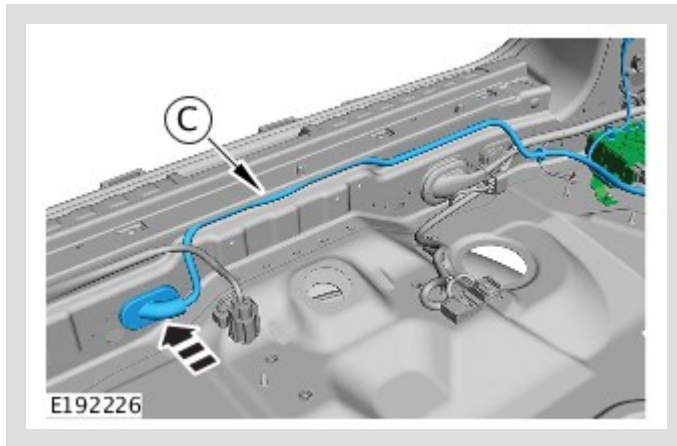
6.



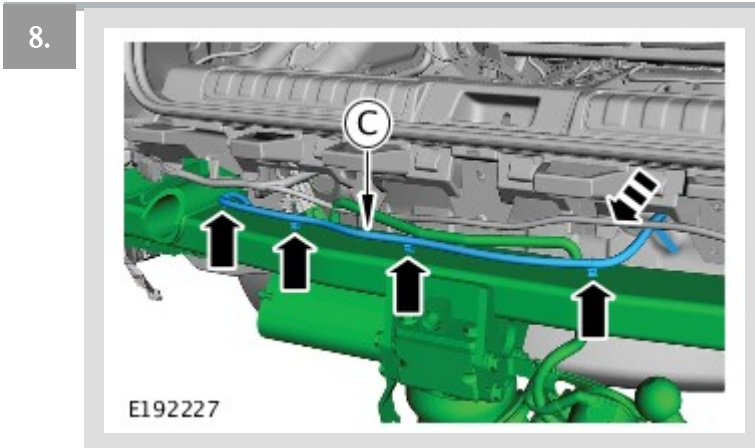
Connect the electrical harness to the towbar module.

Secure the harness in the positions illustrated.

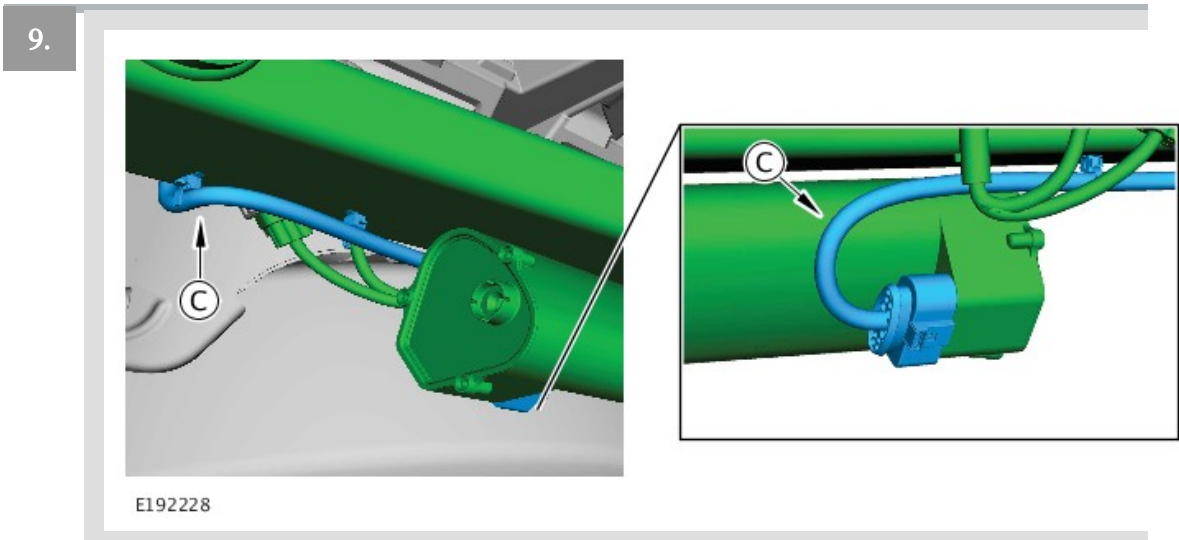
7.



Install the electrical harness.



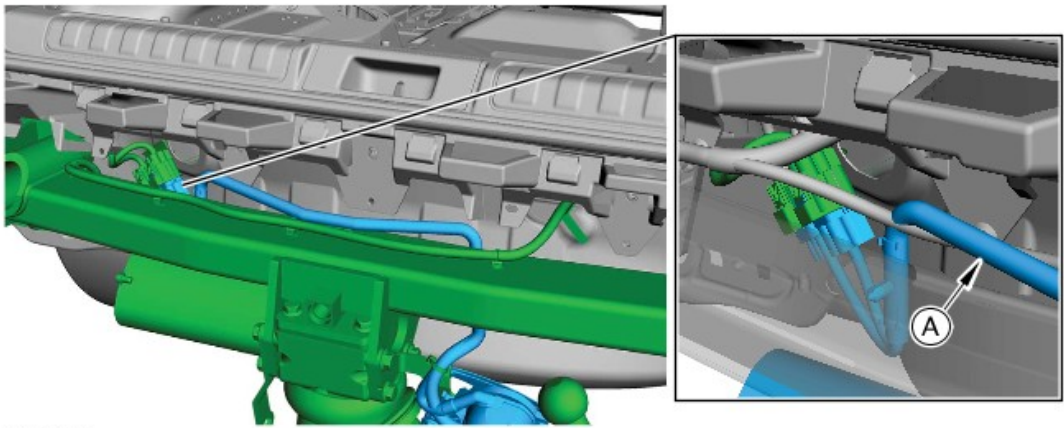
Install the electrical harness.



Secure the electrical harness as illustrated.

Install the electrical connector.

10.

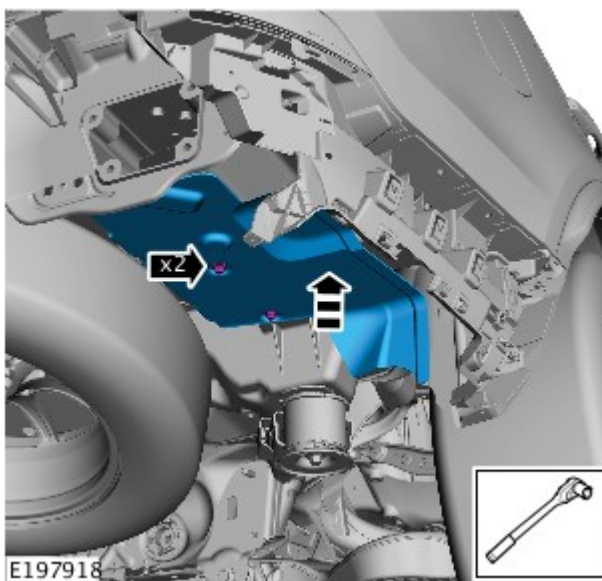


Connect the towbar electrics.

11.


△ NOTE:

Repeat this step for the other side.

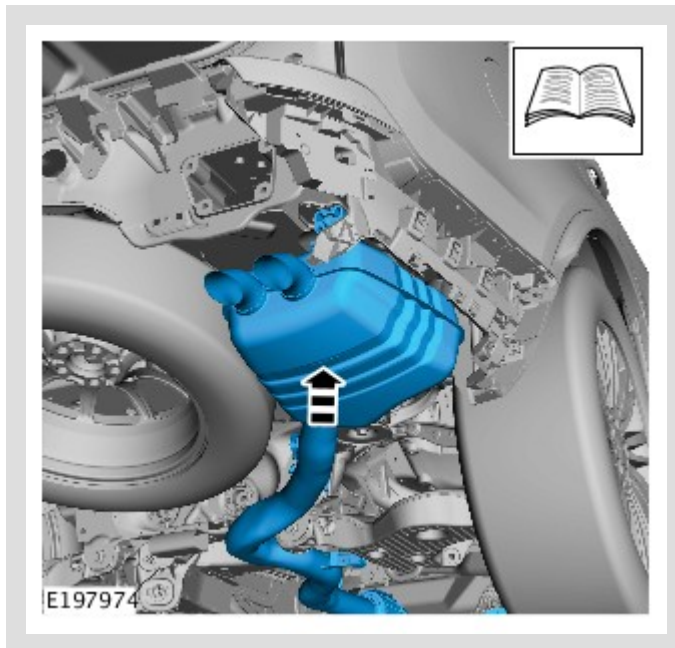


Install the heat shield.

12.

 NOTE:

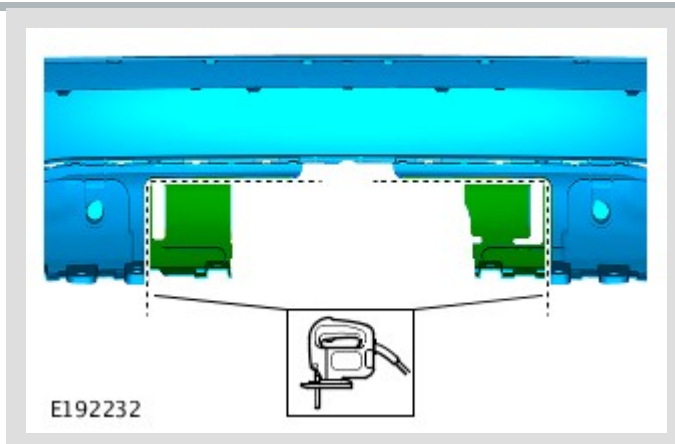
Repeat this step for the other side.



Install the rear muffler.

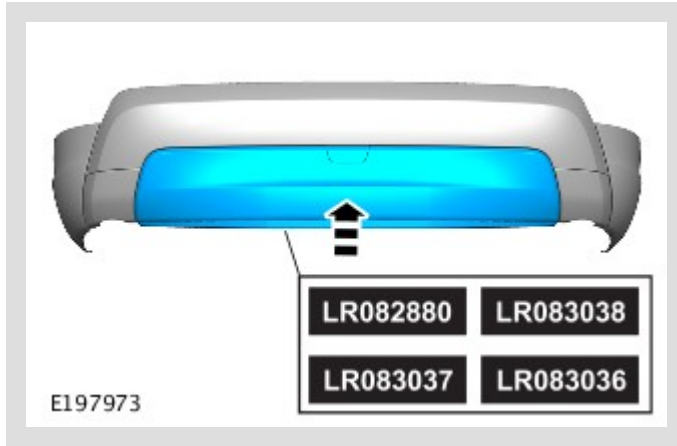
1. Secure the exhaust mountings.

13.



Using a suitable tool, cut the rear bumper as illustrated.

14.

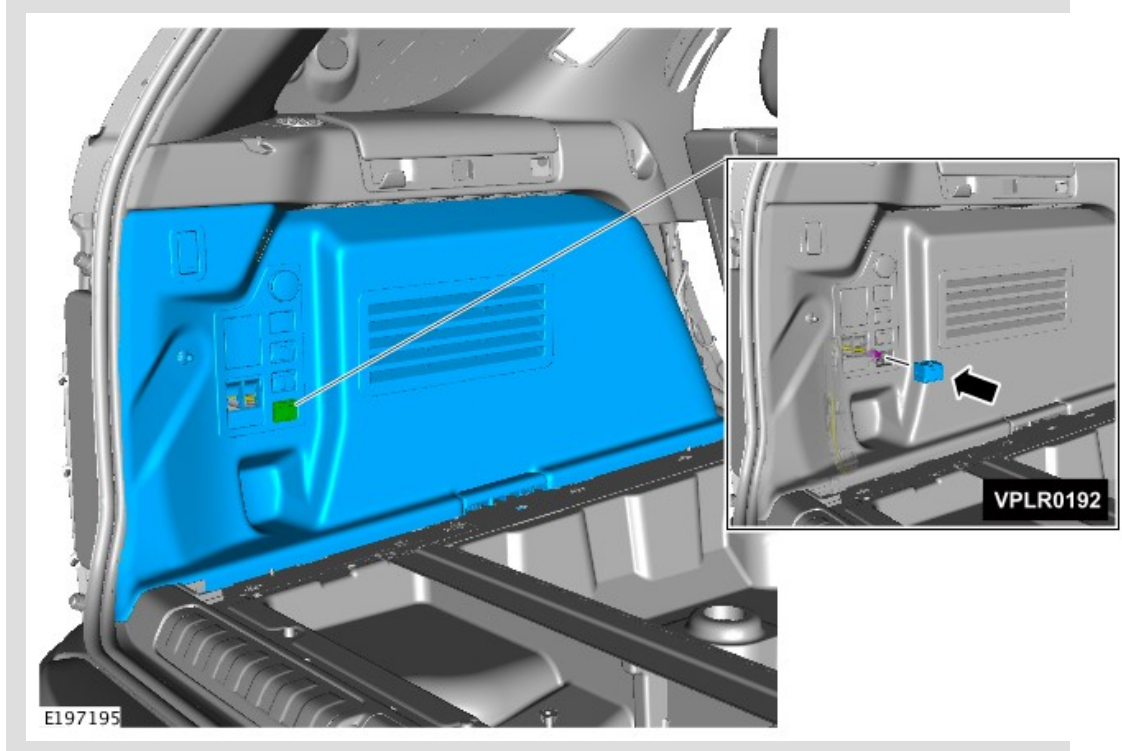


Install the deployable towbar cover.

15. Install the rear bumper.

For additional information, refer to: Rear Bumper (501-19 Bumpers, Removal and Installation).

16.



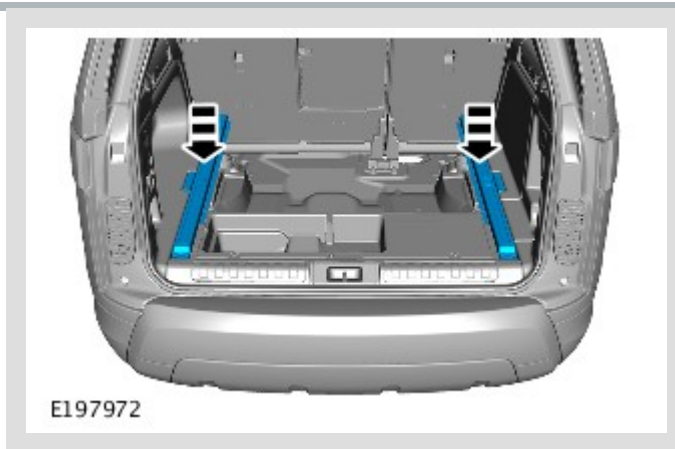
Install the left loadspace Trim Panel.

For additional information, refer to: Loadspace Trim Panel LH

(501-05 Interior Trim and Ornamentation, Removal and Installation).

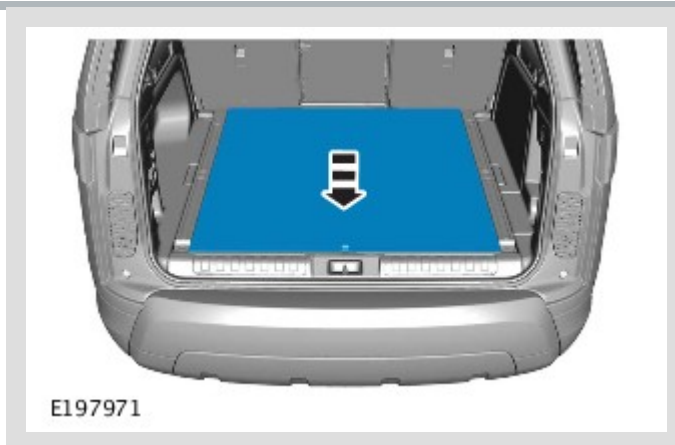
Install the deployable towbar switch.

17.



Install the loadspace trims.

18.



Install the loadspace floor panel.

19. Using the approved diagnostic tool, configure the towbar electrics.