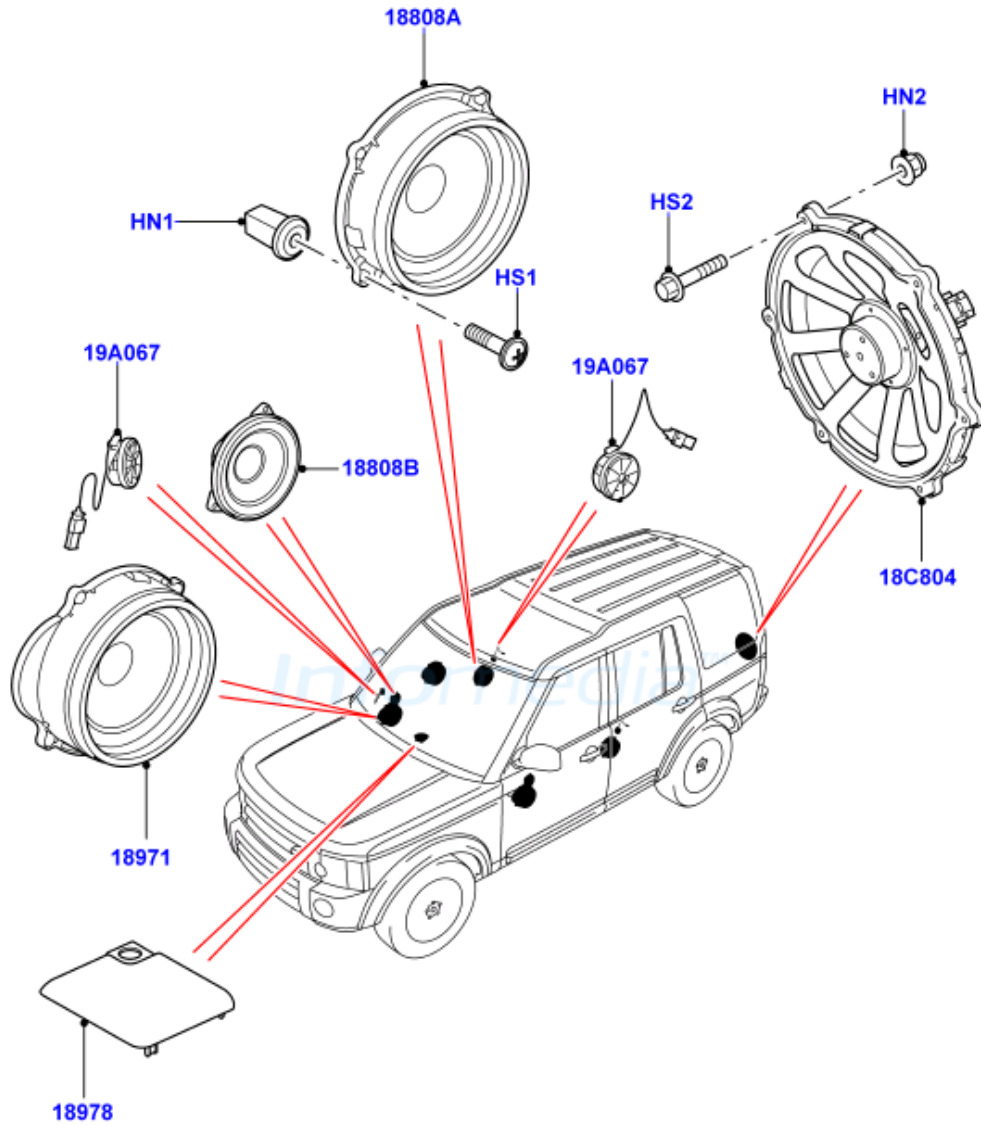


Section: 415-03/05B SPEAKERS (MIDLINE SOUND SYSTEM, HI LINE AUDIO SYSTEM - 600 W, HI ICE BRANDED) (FROM (V)AA ...

VIN:

Registration:

Build date:



4150305
40-2012
LS
P0214980-02