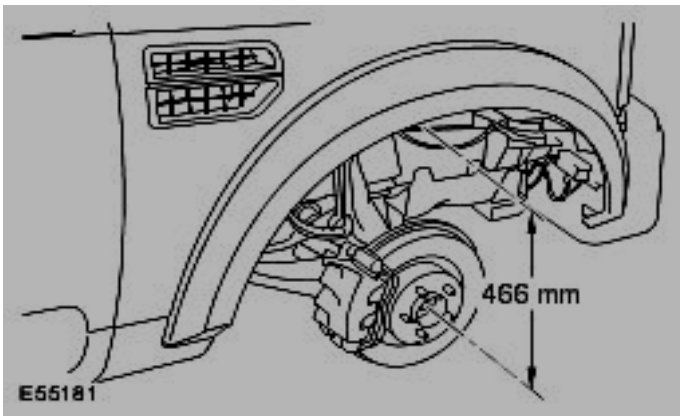


	FRONT		REAR	
	L	R	L	R
IIDTool 'View Values' - 'Calibration'	193	207	217	167
Target Heights - Standard	466mm	466mm	485mm	485mm
Measured Heights - Standard	465mm	465mm	485mm	485mm
Difference between Target & Measured Heights	-1mm	-1mm	0	0
Target Heights - Off-Road	521mm	521mm	540mm	540mm
Measured Heights - Off-Road	519mm	519mm	530mm	530mm
Difference between Target & Measured Heights	-3mm	-3mm	-10mm	-10mm

IIDTool 'View Values' - 'Calibration' - Increase by 33	226	240	250	200
Measured Heights: +33/Standard	502mm	502mm	520mm	520mm
Difference between Standard & +33/Standard Heights	+35mm	+35mm	+35mm	+35mm
Measured Heights: +33/Off-Road	546mm	546mm	560mm	560mm
Difference between Off-Road & +33/Off-Road Heights	+27mm	+27mm	+30mm	+30mm



Target Normal Height - Front: 466mm, Rear: 485mm
 Target Off-Road Height (+55mm) - Front: 521mm, Rear: 540mm
 Target Access Height (-50mm) - Front: 416mm, Rear: 435mm