



## Front Fender Moulding (76.43.54)

### Removal

- 1 . Remove the headlamp assembly.  
For additional information, refer to [Headlamp Assembly \(86.40.49\)](#)

- 2 .  **WARNING: Do not work on or under a vehicle supported only by a jack. Always support the vehicle on safety stands.**

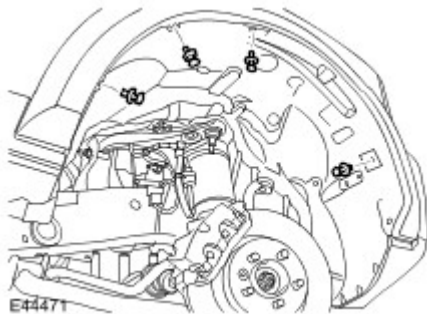
Raise and support the vehicle.

- 3 . Remove the mud flap.  
 Remove the 3 retaining screws.





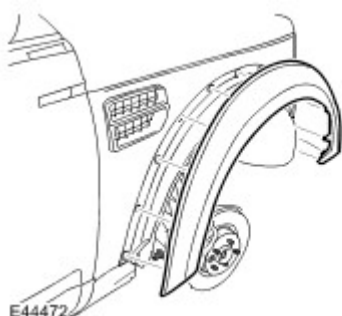
E44470

- 4 . Remove the 4 retainers.



E44471

- 5 . Remove the fender moulding.  
 Remove the 2 screws.  
 Carefully release the 10 clips.

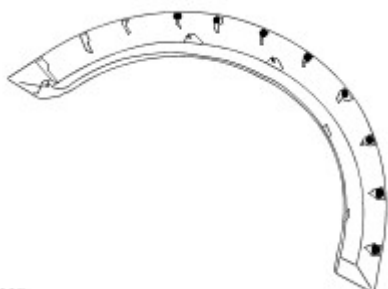


E44472

**6 . NOTE:**

Do not disassemble further if the component is removed for access only.

Remove the clips from the moulding.



E53307

**Installation**

- 1 . To install, reverse the removal procedure.
- 2 . Install the headlamp assembly.  
For additional information, refer to [Headlamp Assembly \(86.40.49\)](#)