

Third Row Seat (78.10.39)

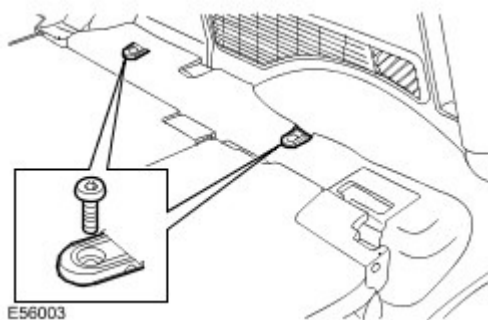
Removal

NOTE :

Third row seats must be removed as a pair.

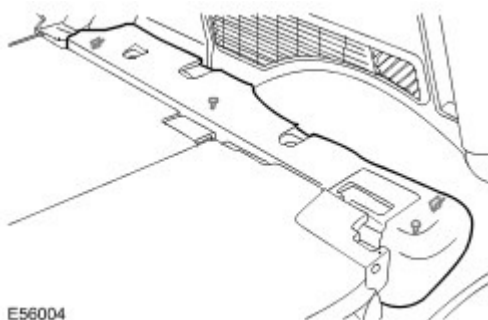
1 . Remove the loadspace compartment anchors.

▶ Remove the 4 Torx bolts.



2 . Remove the loadspace trim panels.

▶ Release from the 4 clips.



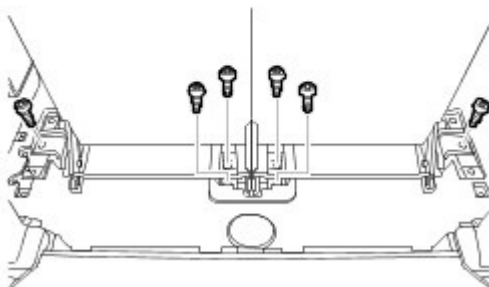
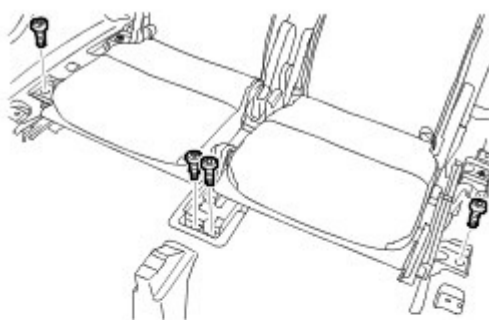
3 . NOTE :

Torx bolts may be re-used.

Remove the third row seats.

▶ Release the trim cover.

▶ Remove the 10 Torx bolts.



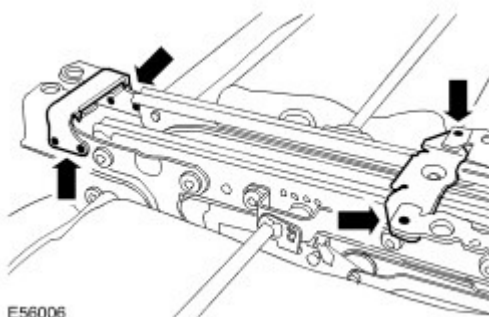
E56005

4 . NOTE :

Do not disassemble further if the component is removed for access only.

Separate the third row seats.

- ▶ Remove the seat frame finisher.
- ▶ Drill out the 6 rivets.
- ▶ Remove the 2 brackets.



E56005

Installation

1 . Attach the third row seats.

- ▶ Install the brackets.
- ▶ Install the rivets.


2 . Install the third row seats.

- ▶ Tighten the Torx bolts to 40 Nm (30 lb.ft).
- ▶ Secure the trim cover.

3 . Install the loadspace trim panels.

- ▶ Secure in the clips.

4 . Install the loadspace compartment anchors.

 Tighten the Torx bolts to 25 Nm (18 lb.ft).