


Published: May 13, 2004

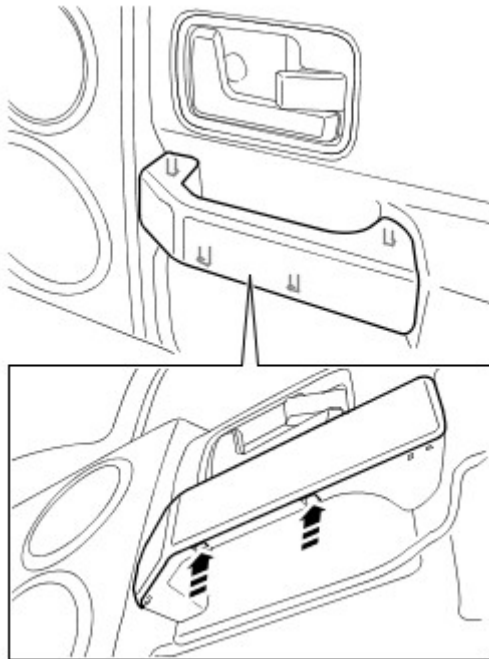
Front Door Trim Panel (76.34.01)

Removal

1.  **CAUTION: Release the 2 lower clips first, use the access holes.**

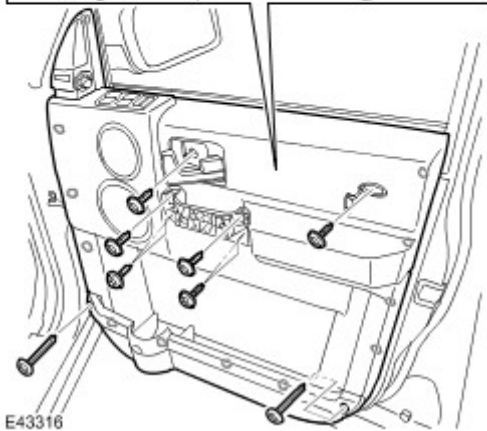
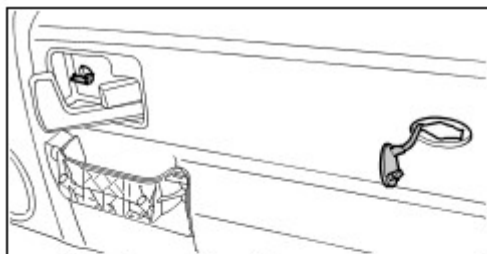
Remove the grab handle cover.

- ▶ Release the 4 clips.

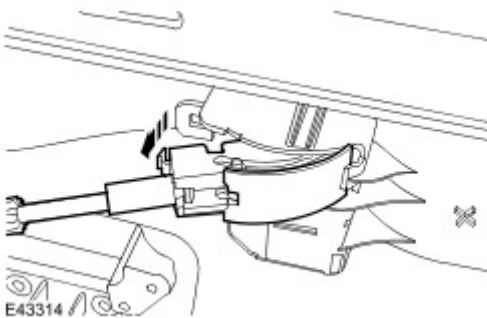


E43313

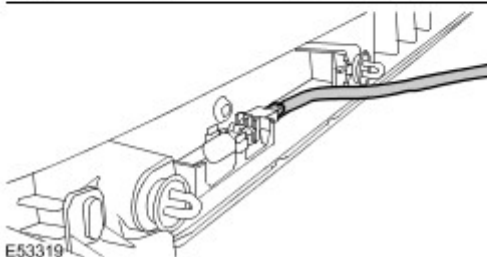
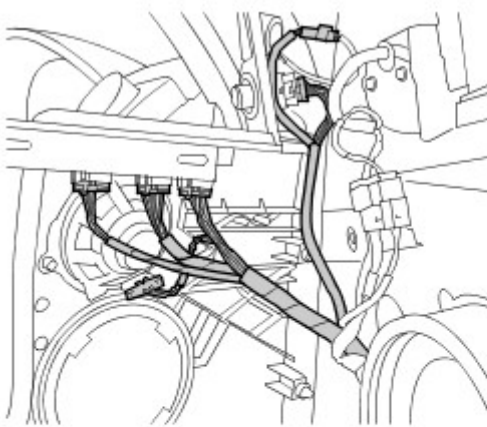
2. Release the front door trim panel.
 - ▶ Release the 2 screw covers.
 - ▶ Remove the 8 screws.
 - ▶ Release the 12 clips.



- 3 . Disconnect the door latch remote release cable.



- 4 . Remove the front door trim panel.
▶ Disconnect the 7 electrical connectors.



5 . NOTE:

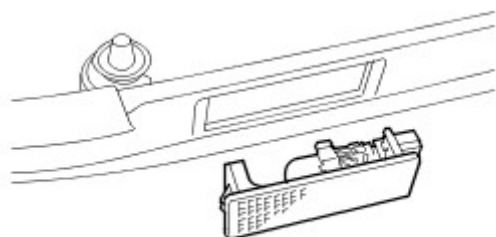
Do not disassemble further if the component is removed for access only.

Remove the front door latch remote control handle.

- ▶ Starting at the lower edge, carefully release the remote handle.

**6 . Remove the puddle lamp.**

- ▶ Carefully release the lamp.

**7 . Remove the tweeter.**

- ▶ Release the 3 clips.

8 . Remove the mirror control switch.

- ▶ Release the 2 clips.

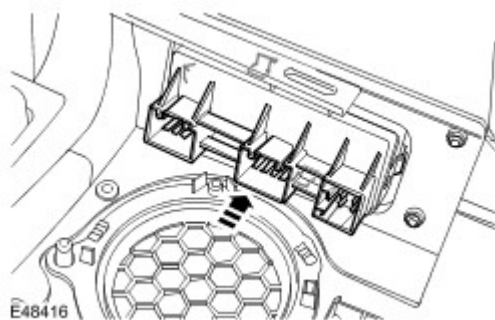
**9 . Remove the speaker.**

- ▶ Remove the 3 Torx screws.

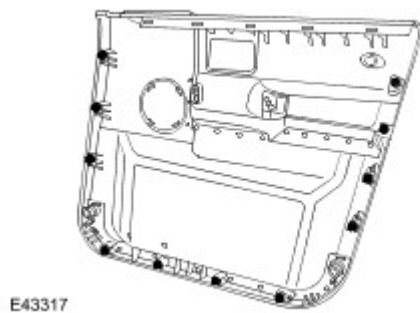


10 . Remove the window control switch.

▶ Carefully release the 4 clips.



11 . Remove the 12 clips.



Installation

1 . Install the window control switch.

▶ Secure with the clips.

2 . Install the speaker

▶ Tighten the Torx screws.

3 . Install the mirror control switch.

▶ Secure with the clips.

4 . Install the tweeter.

▶ Secure with the clips.

5 . Install the puddle lamp.

- 6 . Install the front door latch remote control handle.
- 7 . Install the clips.
- 8 . Install the front door trim panel.
 - ▶ Connect the electrical connectors.
 - ▶ Connect the door latch remote control cable.
 - ▶ Secure with the clips.
 - ▶ Tighten the screws.
 - ▶ Install the screw cover.
- 9 . Install the grab handle cover.