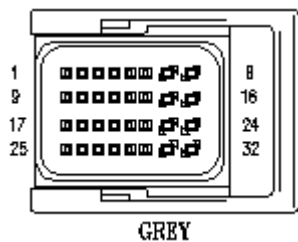


[Click here to print](#)

Connector: **C2178**



Part No.: **YPC803400**

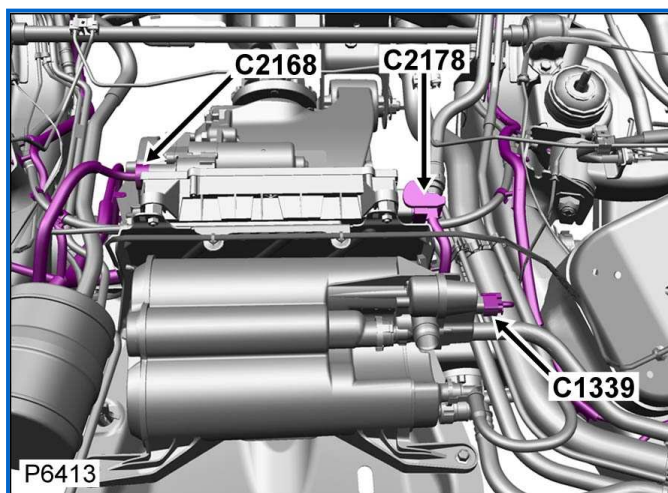
Colour: **GREY**

Cavities: **32WY**

Harness: **CHASSIS HARNESS**

Description: **Module-Parking brake**

Location: **Beneath rear of vehicle - Center**



Wire Chart

CAV	TERMINAL	CSA	COL	CCT	DESTN
9	YPL104080	0.5D	YB	395	C0390
10	YPL104080	0.5D	YN	395	C0390
13	YPL104080	0.5D	R	30	C0390
15	YPL801980	1.5D	B	395	C0390
16	YPL801980	1.5D	B	395	C0390
18	YPL104080	0.5D	YU	395	C0390
19	YPL104080	0.5D	R	395	C0390
21	YPL104080	0.5D	U	30	C0390
22	YPL104080	0.5D	R	395	C0390
26	YPL104080	0.5D	Y	395	C0390
27	YPL104080	0.5D	YG	395	C0390
29	YPL104080	0.5D	W	30	C0390
30	YPL104080	0.5D	G	395	C0390
31	YPL801980	1.5D	GY	395	S/JOINT SJ406

Service Repair Kits

Refer to Harness Repair information

Se référer aux informations de réparation de faisceau

Siehe Informationen über Kabelbaumreparaturen

Vedere le informazioni che trattano le operazioni di riparazione del cablaggio

Remítase a la información sobre reparación de mazos de cables

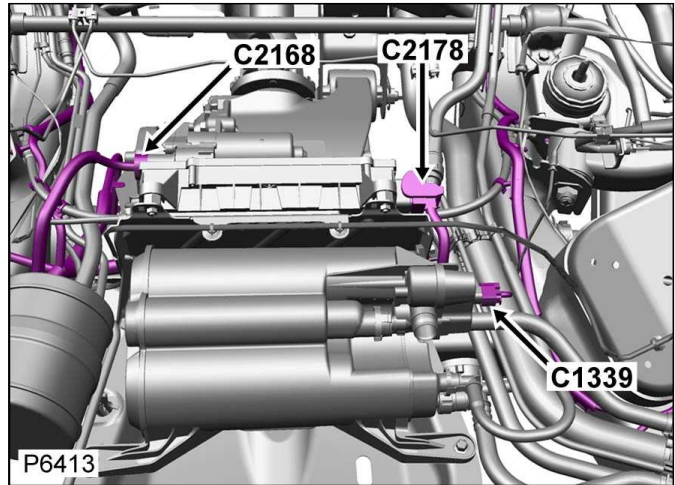
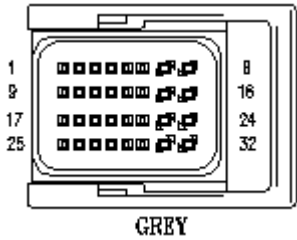
Raadpleeg de informatie over kabelboomreparaties

32	YPL801980	1.5D	GY	395	S/JOINT SJ406
----	-----------	------	----	-----	------------------

Connector: C2178

Description: Module-Parking brake

Location: Beneath rear of vehicle - Center



Part No.: YPC803400

Colour: GREY

Cavities: 32WY

Harness: CHASSIS HARNESS

Wire Chart

CAV	TERMINAL	CSA	COL	CCT	DESTN
9	YPL104080	0.5D	YB	395	C0390
10	YPL104080	0.5D	YN	395	C0390
13	YPL104080	0.5D	R	30	C0390
15	YPL801980	1.5D	B	395	C0390
16	YPL801980	1.5D	B	395	C0390
18	YPL104080	0.5D	YU	395	C0390
19	YPL104080	0.5D	R	395	C0390
21	YPL104080	0.5D	U	30	C0390
22	YPL104080	0.5D	R	395	C0390
26	YPL104080	0.5D	Y	395	C0390
27	YPL104080	0.5D	YG	395	C0390
29	YPL104080	0.5D	W	30	C0390
30	YPL104080	0.5D	G	395	C0390
					S/JOINT

Service Repair Kits

Refer to Harness Repair information

Se référer aux informations de réparation de faisceau

Siehe Informationen über Kabelbaumreparaturen

Vedere le informazioni che trattano le operazioni di riparazione del cablaggio

Remítase a la información sobre reparación de mazos de cables

Raadpleeg de informatie over kabelboomreparaties

31	YPL801980	1.5D	GY	395	SJ406
32	YPL801980	1.5D	GY	395	S/JOINT SJ406