



Technical Service Bulletin

No.LTB00245
06
November 2009

Subject/Concern: Front Differential Oil Leak - New Style Breather Cap Available

Models:		
Discovery 3 / LR3		VIN- range: 5A000303 Onwards
Range Rover Sport (LS)		VIN- range: 5A900013 Onwards

Markets: All

Section: 205-03

Summary:
This Technical Bulletin is for information only, to advise Authorized Repairers that the front differential breather cap is now available as a serviceable part.

If a vehicle is identified with an oil leak from the front differential the relevant seal must be replaced along with the new type breather cap.

Should it become necessary to replace the breather cap, please refer to the Service Instruction outlined below.

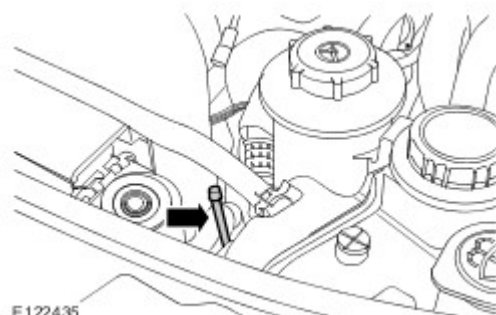
Parts Required:		
Description	Part Number	Quantity
Front Differential Breather Cap	LR019450	1

Labour Time:		
Operation Description	Operation No.	Time
Front Differential Breather Cap	54.10.89/47	0.1 hours

Service Instruction

Remove

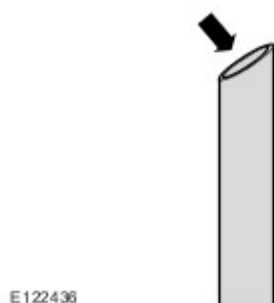
- 1 . Identify the front differential breather tube.



- 2 .  **CAUTION: Make sure the pipe is cut at an angle. Failure to follow this instruction may result in damage to the vehicle.**

NOTE: Breather pipe must be cut 20mm down from the top of the filter cap.

Cut the breather filter off the breather tube.



Install

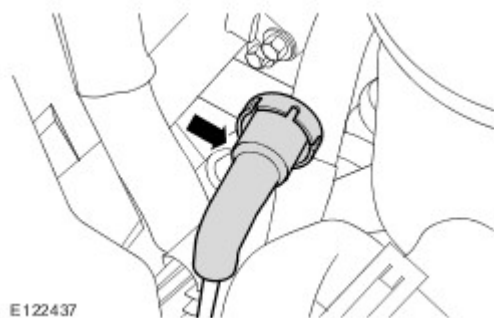
3 .



CAUTION: Make sure the new breather points rearwards in vehicle. Failure to follow this instruction may result in damage to the vehicle.

Install the new breather filter.

1 . Push on the Breather cap as far as possible.



©2009 LandRover