



# Automotive Vents

SERIES: AVS 15, 16, 38, 40

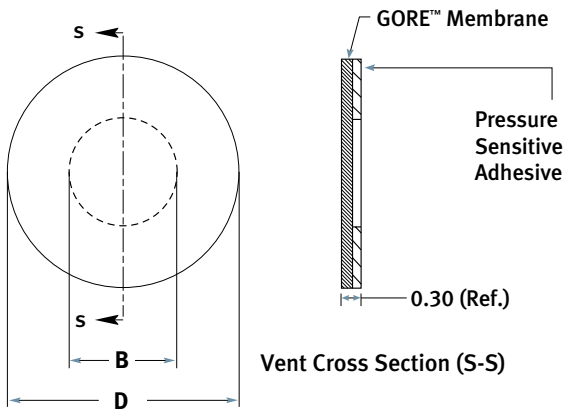
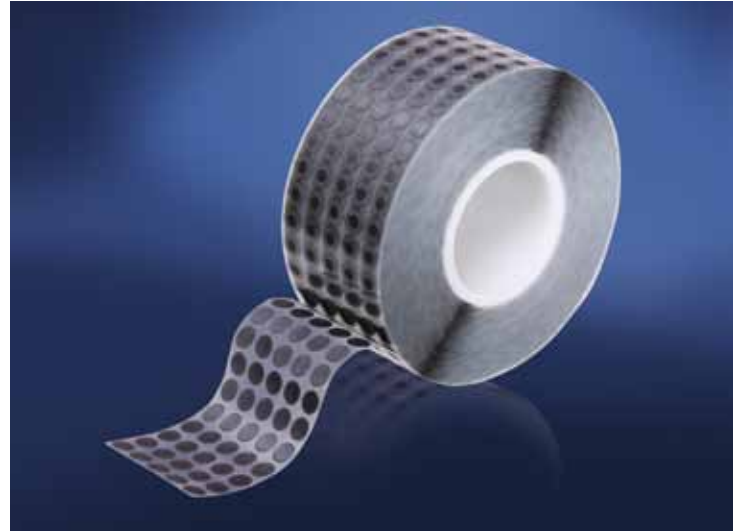
## Superior pressure equalization for improved product performance

### DESCRIPTION

- Grey circular vent with pressure sensitive silicone adhesive
- All ePTFE membrane construction without backing material
- Available in manual or automated installation configurations
- Membrane type: AM2XX
- Adhesive type: AD104

### PHYSICAL PROPERTIES

Membrane Characteristics	Hydrophobic and Oleophobic
Operating Temperature	-40°C to 150°C
Water Entry Pressure (assembly)	$\geq 345$ mbar ( $\geq 5$ psi) for 60 seconds



### REALIZE THE BENEFITS OF GORE® AUTOMOTIVE VENTS:

- Suitable for automotive lighting, electronic control modules, sensors and motors
- Dependable hydrophobic and oleophobic protection from water, oil, automotive fluids and road contaminants
- Superior venting performance after direct exposure to contaminants
- Lower overall product cost through reduced design and testing costs
- Backed by Gore's technical expertise

### INSTALLATION

Surface of housing must be clean and free of oils. Please contact a Gore representative for housing recommendations and complete installation instructions.

SAMPLE SERIES	MANUAL INSTALLATION SERIES	AUTOMATED INSTALLATION SERIES	MINIMUM AIRFLOW	OUTER DIAMETER (D)	INSIDE DIAMETER (B)
AVS 40	VE2037	VE2040	$\geq 0.5$ L/h @ 70 mbar (1 psi)	7.00 mm	3.00 mm
AVS 38	VE2031	VE2039	$\geq 1.8$ L/h @ 70 mbar (1 psi)	10.00 mm	5.50 mm
AVS 15	VE2029	VE2035	$\geq 3.0$ L/h @ 70 mbar (1 psi)	12.70 mm	7.11 mm
AVS 16	VE2021	VE2027	$\geq 4.8$ L/h @ 70 mbar (1 psi)	19.05 mm	8.89 mm



# Automotive Vents

SERIES: AVS 15, 16, 38, 40

## SUPERIOR PRESSURE EQUALIZATION FOR IMPROVED PRODUCT PERFORMANCE

### Hydrophobic and oleophobic ePTFE membrane

*Sheds liquid and returns to venting quickly following water spray or submersion*

*Resists blocking after contact with common automotive fluids*

### Dirt and dust filtration down to 0.07 µm

*Protects against contamination from dirt, dust, salt and road debris*

### Air permeable membrane that equalizes pressure

*Increases component reliability by reducing stress on housing seals*

### Thermally stable and chemically resistant system

*Provides durability and reliable venting in automotive lighting and under-hood environments*

### Aggressive and durable pressure sensitive adhesive

*Easy to install*

*Proven reliable for interior and exterior applications*

### Position independent, one-vent-per-housing design

*Reduces design and production costs and improves performance consistency*

Please note that product values are subject to change. Please contact a GORE® Automotive Vents associate today for the most up to date information and for assistance determining the best product for your specific application.

**W. L. Gore & Associates recommends that adhesive parts be stored in cool dry conditions (22°C/50%RH) and out of direct sunlight. Adhesive parts are most easily removed from the product carrier within one year of packaging date.**



#### INTERNATIONAL CONTACTS

Australia	61.2.9473.6800	Mexico	52.81.8288.1281
China	86.21.5172.8299	Scandanavia	46.31.706.7800
France	33.1.5695.6565	Singapore	65.6733.2882
Germany	49.89.4612.2211	South America	55.11.5502.7800
India	91.22.6768.7000	Spain	34.93.480.6900
Italy	39.045.6209.240	Taiwan	886.2.8771.7799
Japan	81.3.3327.0011	United Kingdom	44.1506.460123
Korea	82.2.393.3411	USA	1.410.392.4440

#### FOR INDUSTRIAL USE ONLY.

Not for use in food, drug, cosmetic or medical device manufacturing, processing, or packaging operations.

All technical information and advice given here is based on Gore's previous experiences and/or test results. Gore gives this information to the best of its knowledge, but assumes no legal responsibility. Customers are asked to check the suitability and usability in the specific application, since the performance of the product can only be judged when all necessary operating data are available. The above information is subject to change and is not to be used for specification purposes.

Gore's terms and conditions of sale apply to the sale of the products by Gore.

W. L. Gore & Associates, Inc. is certified according to ISO TS 16949, ISO 9001 and ISO 14001 standards.

W. L. Gore & Associates GmbH is certified according to ISO TS 16949 and ISO 9001 standards.

GORE and designs are trademarks of W. L. Gore & Associates

© 2011 W. L. Gore & Associates, Inc.

#### W. L. GORE & ASSOCIATES, INC.

401 Airport Road • Elkton, MD 21922 • USA

Phone: 410.392.4440 (USA)

E-Mail: [automotive.us@wlgore.com](mailto:automotive.us@wlgore.com)

[gore.com/autovents](http://gore.com/autovents)

