

MX19 Series

Small waterproof relay connector



FEATURES

- Mechanical lock mechanism prevents incomplete mating, and improved insertion and removal.
- Improved harness assembly and insertion of terminals into housing thanks to a grommet with rear cover.
- Rear cover protects the grommet from damage on terminal insertion, withstands cable flaps, and improves waterproof reliability.
- Terminals have a two-plate spring mechanism with long beam length, which results in a low force insertion and stress dispersion. The highly reliable contact mechanism can withstand the particular types of vibration caused by an automobile.

These small waterproof relay connectors are designed for use in automobiles. The connectors are designed to withstand harsh environments, and provide an improved harness assembly process thanks to a grommet with a rear cover. The small, proven two-plate spring mechanism improves contact reliability.

GENERAL SPECIFICATIONS

No. of contacts	2, 4 (Color: Black (standard) gray)
Contact resistance	Less than 10mΩ
Withstand voltage	AC1000C (for 1 minute)
Operating temperature	-40°C to +105°C (including temperature rise due to applied current)
Waterproofing	Compliant with JIS D0203 S1
Insulation resistance	Greater than 100MΩ

Applicable Wire

Cable type	CAVS, AVSS
Cross section of conductor	0.3 to 0.5mm ²
A.W.G No.	22 to 20
Outer diameter of cable	1.4 dia. to 1.7 dia mm

Note) Only 0.5mm² is available for AVSS.

MATERIALS AND FINISHES

Component	Materials and finishes
Insulator	PBT (black (standard) or gray)
Contact	Copper alloy
Grommet	Silicon rubber (brown)
Sealing Ring	Silicon rubber (brown)

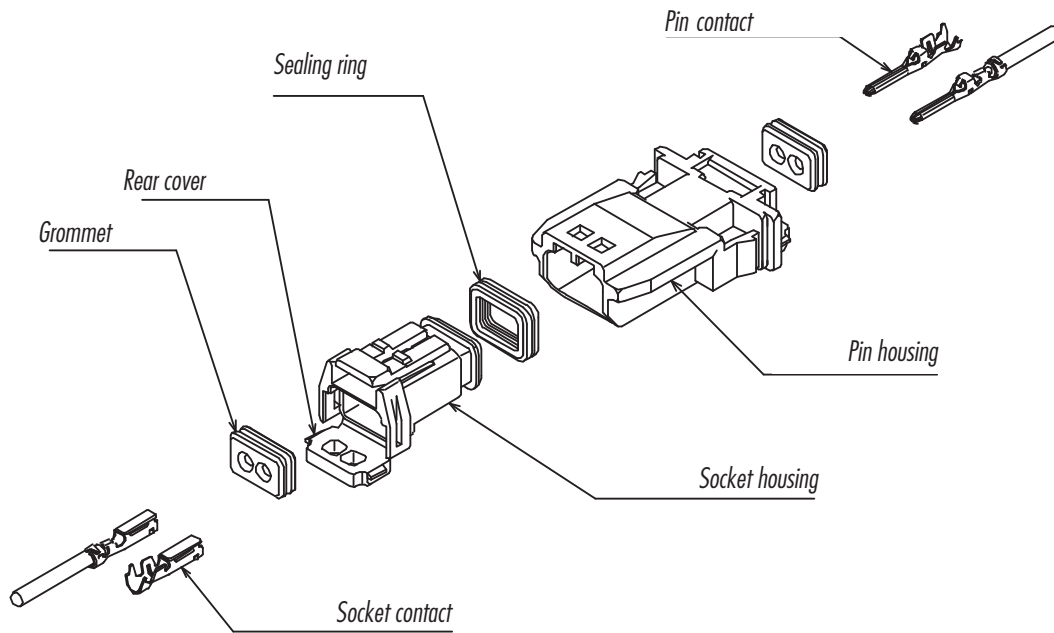
• Please consult JAE for verification of product availability.
Dimensions in mm.

MX19 Series

Small waterproof relay connector

Part Configuration (2 pos.)

BODY CHASSIS SYSTEMS



Crimping tool/Extraction tool

Type	Part Number
Semi automatic applicator	350-MX19-2
Automatic applicator	350-MX19-3B
Extraction tool	ET-MX19

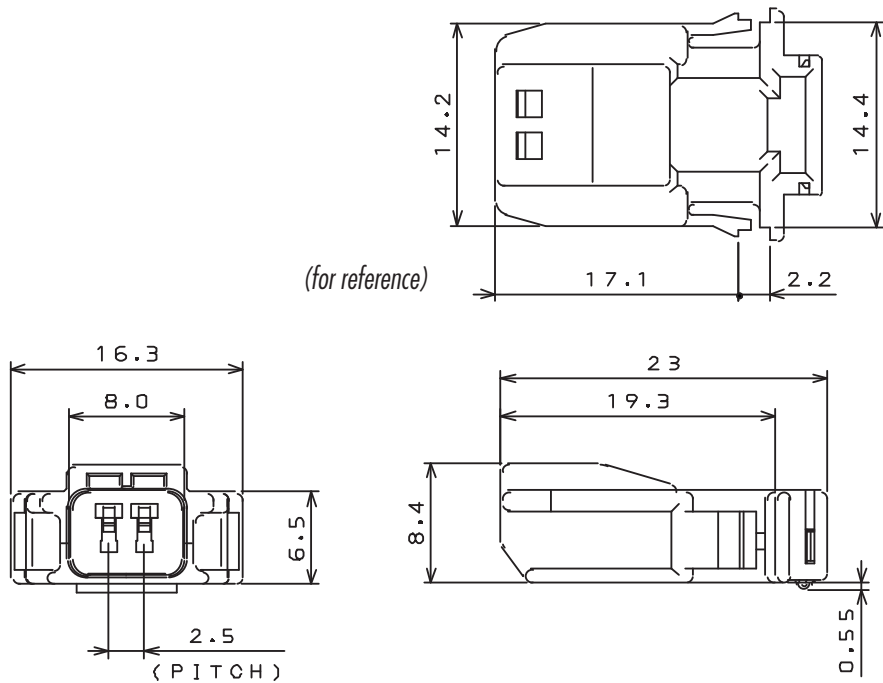
Note) Pin and socket can be used in common

• Please consult JAE for verification of product availability.
Dimensions and specifications subject to change without notice.

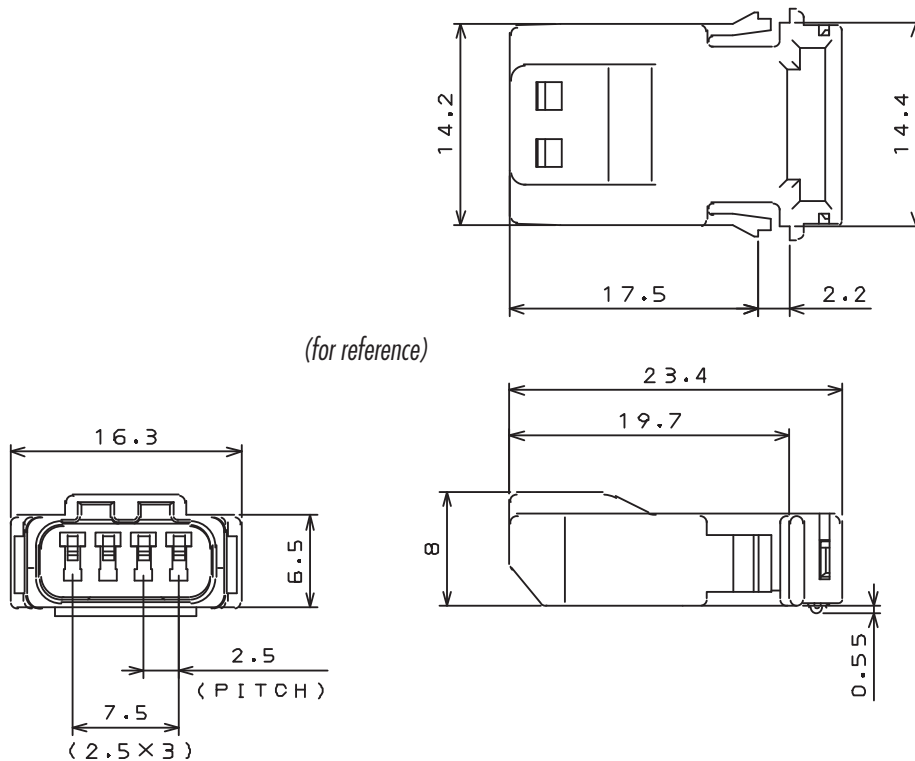
MX19 Series

Small waterproof relay connector

1) 2 pos. Pin housing (MX19002P51, MX19002P52)



2) 4 pos. Pin housing (MX19004P51, MX19004P2)

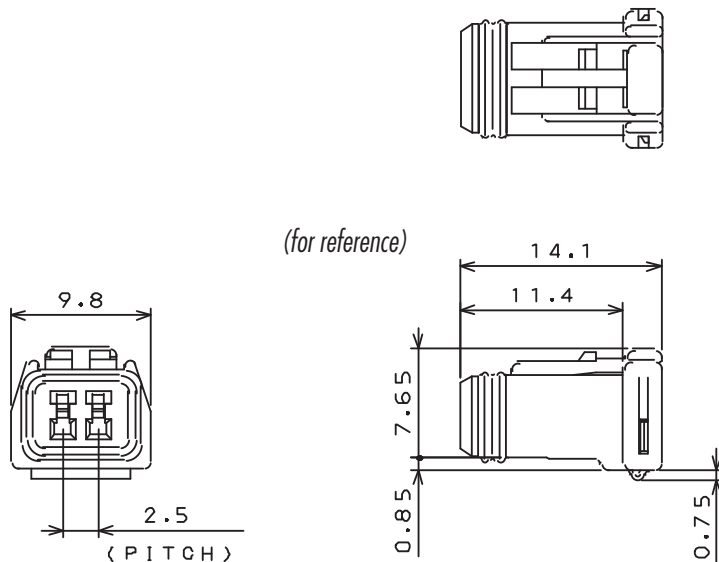


• Please consult JAE for verification of product availability.
Dimensions in mm.

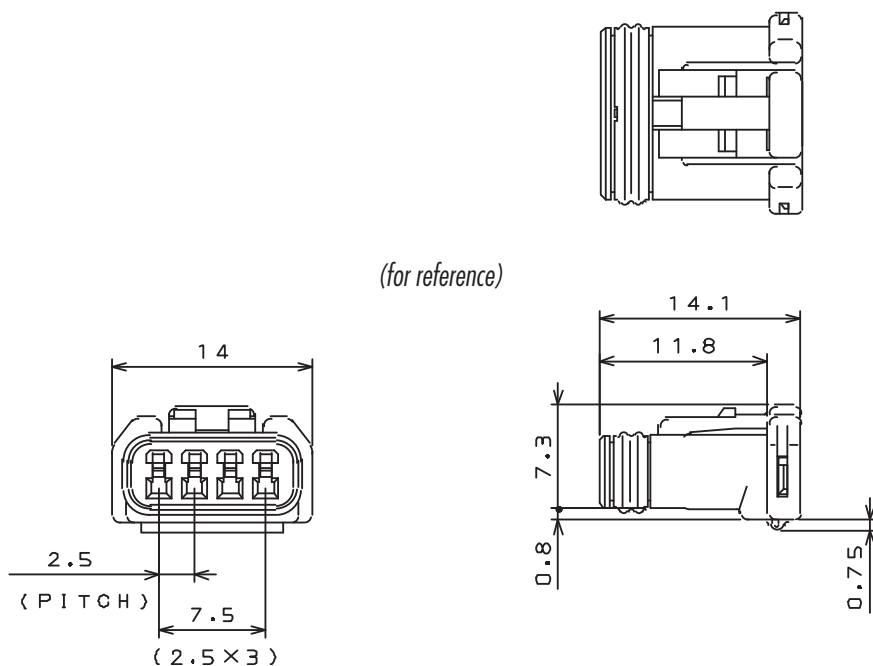
MX19 Series

Small waterproof relay connector

3) 2 pos. Socket housing (MX19002S51, MX19002S52)



4) 4 pos. Socket housing (MX19004S51, MX19004S52)

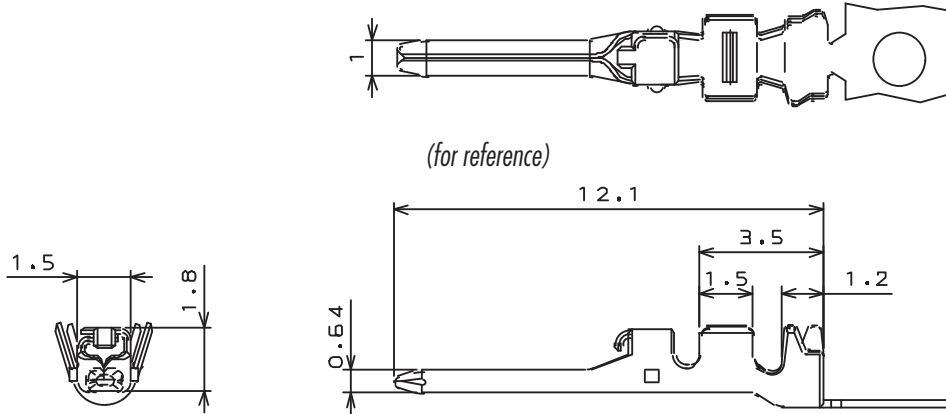


• Please consult JAE for verification of product availability.
Dimensions and specifications subject to change without notice.

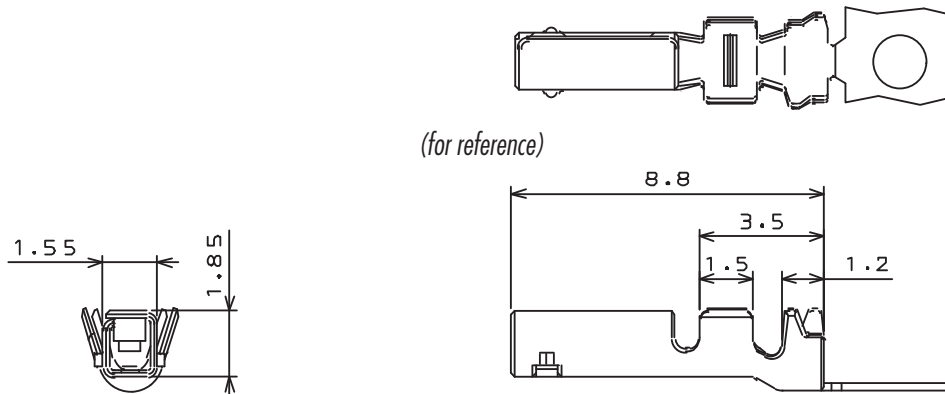
MX19 Series

Small waterproof relay connector

5) Pin contact (MX19P10K451)



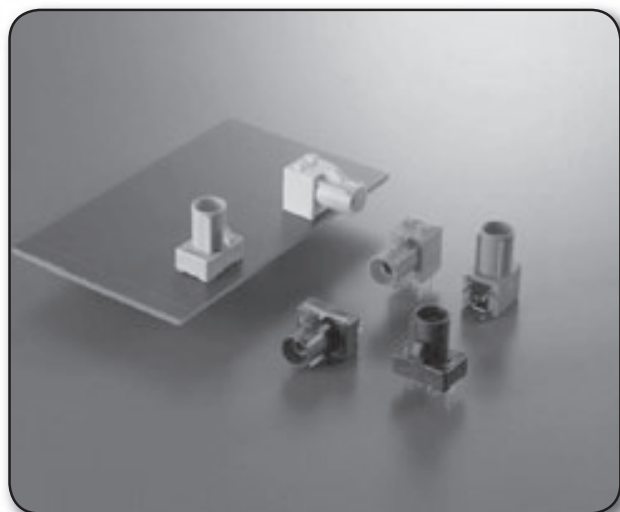
6) Socket contact (MX19S10K451)



• Please consult JAE for verification of product availability.
Dimensions in mm.

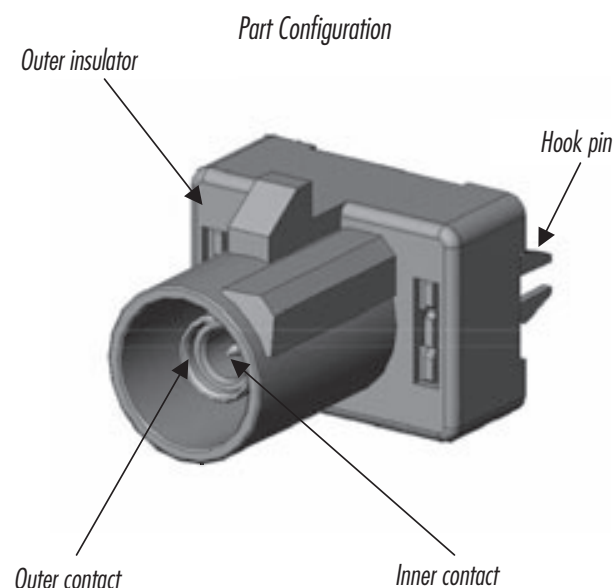
MX35 Series

In-vehicle Coaxial Connector



FEATURES

- In-vehicle coaxial connector conforming to FAKRA standard.
- 3 key types, E, F, and I, are available in the one-contact type.
- Secure locking at soldering and high tolerance for connector insertion and removal are provided by hook-pins installed on both sides of the connector.
- Corresponds to a frequency of 3Ghz or less.



• Please consult JAE for verification of product availability.
Dimensions in mm.



MX35 connector is an in-vehicle coaxial connector conforming to FAKRA standard. It is used for various devices including radios, TVs, GPSs and mobile phones.

A straight pin header has been newly developed with hook pins for board-locking so that secure locking at soldering and high tolerance for connector insertion and removal are provided.

GENERAL SPECIFICATIONS

No. of contacts	1 pos. Pin header (Key types: E,F,I)
Dielectric withstanding voltage:	AC1000V per minute
Operating temperature	-30°C to +85°C
Insulation resistance:	100M ohm min.
Life time:	50 times

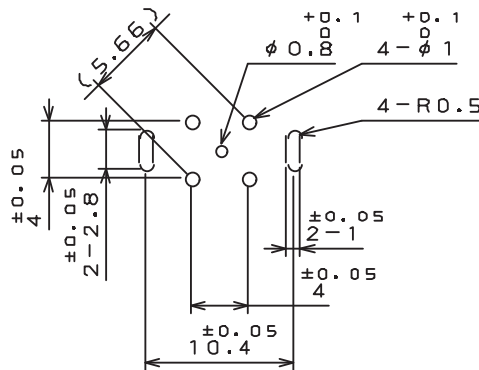
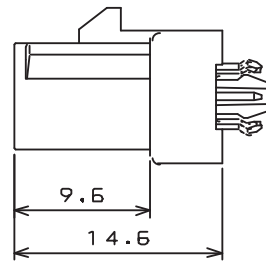
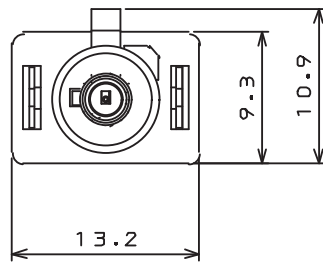
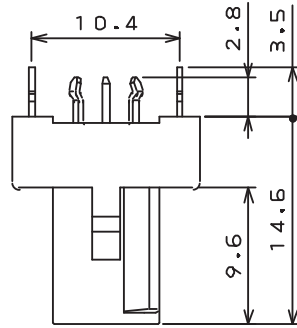
MATERIALS AND FINISHES

Components	Materials/Finishes
Outer insulator	Glass filled PBT
Inner insulator	Glass filled SPS
Outer contact	Copper Alloy/ Tin Plating
Inner contact	Copper Alloy/ Contact Portion: Au plating Soldering Portion: Tin plating
Hook pin	Copper Alloy/ Tin Plating

MX35 Series

In-vehicle Coaxial Connector

1) MX35E01TP1 (Key Type: E)






• Please consult JAE for verification of product availability.
Dimensions and specifications subject to change without notice.

MX35 Series

In-vehicle Coaxial Connector

2) Key type

Key type	Plug key feature	Color (resin)
E		Green
F		Brown
I		Beige

INFORMATION/COMMUNICATION SYSTEMS

3) Technical Information

MX35E01TP1	SJ037066	1 pos. Pin header (Key: E)
MX35F01TP1	SJ037067	1 pos. Pin header (Key: F)
MX35I01TP1	SJ037068	1 pos. Pin header (Key: I)

• Please consult JAE for verification of product availability.
Dimensions in mm.