

Exterior Lighting - Front Fog Lamp

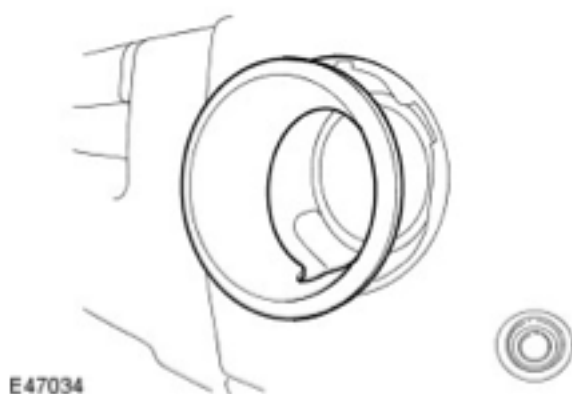
Removal and Installation

Removal

1. NOTE: Release each clip individually. Clips may fall off if care is not taken.

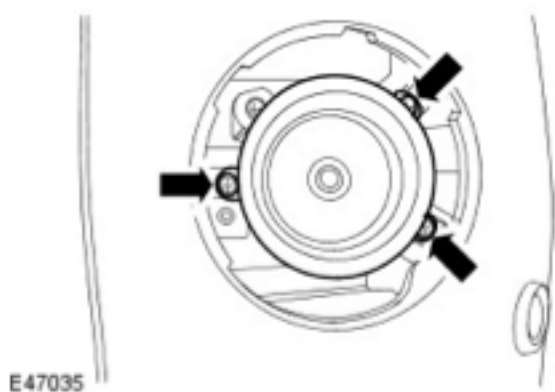
Remove the front fog lamp bezel.

- Release the 6 clips.



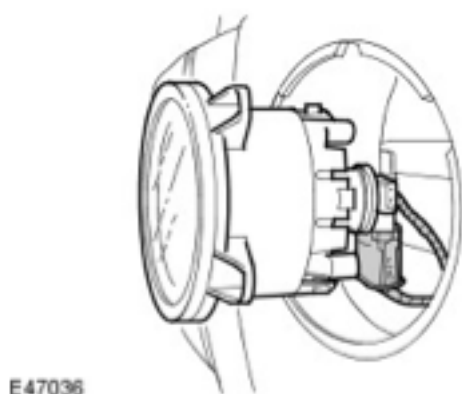
2. Release the front fog lamp.

- Remove the 3 screws.



3. Remove the front fog lamp.

- Disconnect the front fog lamp electrical connector.



Installation

1. Connect the front fog lamp electrical connector.

2. Install the front fog lamp.

- Tighten the screws.

3. Install the front fog lamp bezel.

- Secure the clips.

4. Check the fog lamp beam alignment.