

Rear Bumper Cover (76.22.74)

Removal

All vehicles

1 .



WARNING: Do not work on or under a vehicle supported only by a jack. Always support the vehicle on safety stands.

Raise and support the vehicle.

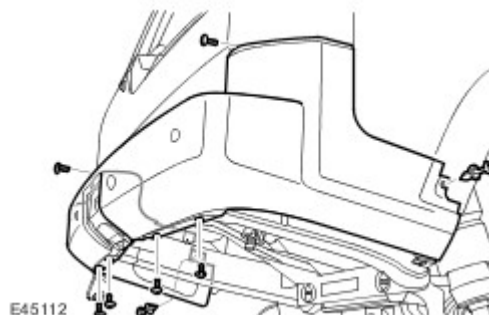
2 . Remove both rear lamp assemblies.

For additional information, refer to [Rear Lamp Assembly \(86.40.70\)](#)

3 . Remove both rear quarter panel mouldings.

For additional information, refer to [Rear Quarter Panel Moulding \(76.43.55\)](#)

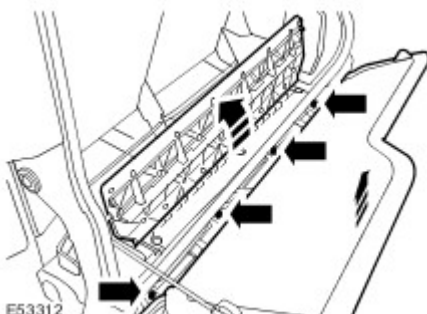
4 . Remove 4 screws, 2 clips and 2 bolts from the rear bumper cover.



5 . With assistance, remove 4 clips from the inner edge of the bumper cover.

➤ Tilt the tailgate for access.

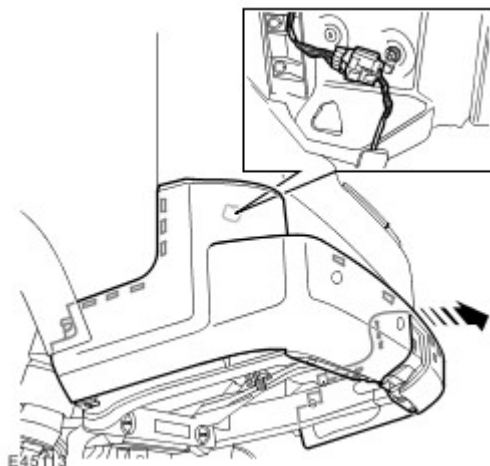
➤ Open the tailgate hinge cover.



6 . Remove the rear bumper cover.

➤ Release from the 12 clips.

➤ If installed, disconnect the parking aid sensor wiring harness electrical connector.

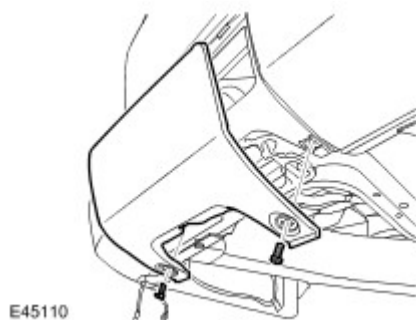


7 . NOTE:

Do not disassemble further if the component is removed for access only.

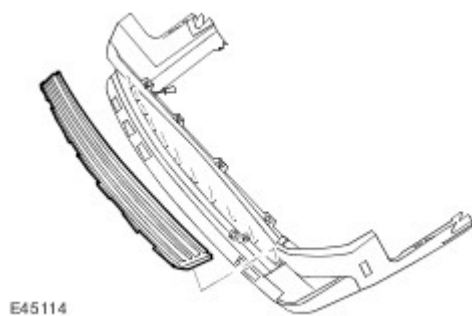
Remove the towing eye cover.

▶ Remove the 2 screws.



8 . Remove the rear bumper trim panel.

▶ Release the 11 clips.



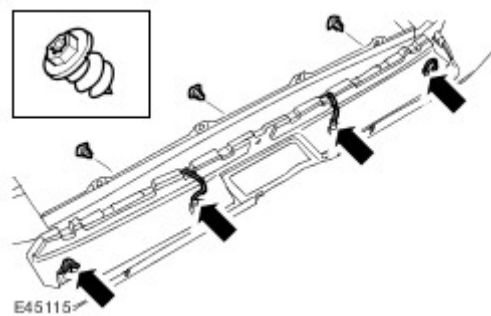
9 . Remove the bumper insert.

▶ Remove the 3 screws.

Vehicles with parking aid

10 . Remove the parking aid sensor wiring harness.

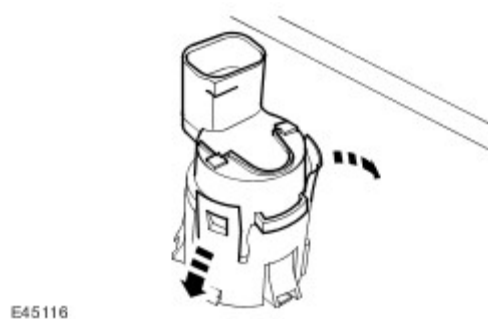
▶ Disconnect the 4 electrical connectors.



Vehicles with parking aid

11 . Remove the parking aid sensor.

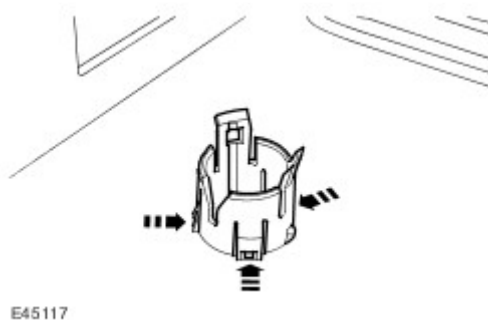
- ▶ Release the 2 clips.
- ▶ Repeat the above procedure for the remaining 3 sensors.



Vehicles with parking aid

12 . Remove the parking aid sensor trim panel.

- ▶ Release the 3 clips.
- ▶ Repeat the above procedure for the remaining 3 sensor trim panels.



Installation

Vehicles with parking aid

1 . Install the parking aid sensor trim panels.

Vehicles with parking aid

- 2 . Install the parking aid sensors.

Vehicles with parking aid

- 3 . Install the parking aid sensor wiring harness.

- ▶ Connect the electrical connectors.

- 4 . Install the bumper insert.

- ▶ If installed, secure the parking aid sensor wiring harness.

- ▶ Tighten the screws.

- 5 . Install the rear bumper trim panel.

- 6 . Install the towing eye cover.

- ▶ Tighten the screws.

- 7 . Install the rear bumper cover.

- ▶ If installed, connect the parking aid sensor wiring harness electrical connector.

- ▶ Secure with the clips.

- ▶ Tighten the screws.

- ▶ Tighten the bolts to 10 Nm (7 lb.ft).

- 8 . Install both rear quarter panel mouldings.

For additional information, refer to [Rear Quarter Panel Moulding \(76.43.55\)](#)

- 9 . Install both of the rear lamp assemblies.

For additional information, refer to [Rear Lamp Assembly \(86.40.70\)](#)