



Floor Console Upper Panel (76.25.11)

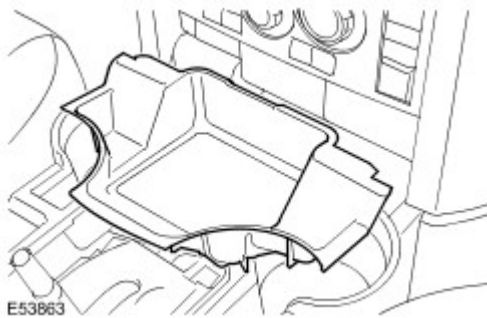
Removal

1. Remove the ride and handling optimization switch assembly. For additional information, refer to [Ride and Handling Optimization Switch \(86.65.11\)](#) (Section 204-06)

2. Remove both cup holder inserts.



3. Remove the floor console liner.

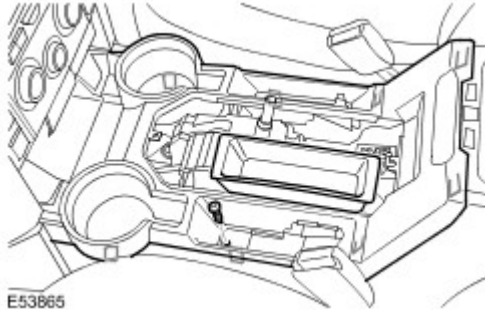


4. Remove the parking brake switch.
 - ▶ Remove the plastic insert.
 - ▶ Remove the screw.
 - ▶ Disconnect the electrical connector.



5. Remove the floor console upper panel.
 - ▶ Open the cubby box lid.

- ▶ Remove the rubber insert.
- ▶ Remove the plastic insert.
- ▶ Remove the screw.
- ▶ Release the 8 clips.



Installation

1. Install the floor console upper panel.
 - ▶ Tighten the screw.
 - ▶ Install the rubber insert.
 - ▶ Install the plastic insert.
2. Install the parking brake switch.
 - ▶ Connect the electrical connector.
 - ▶ Install the screw.
 - ▶ Install the plastic insert.
3. Install the floor console liner.
4. Install both cup holder inserts.
5. Install the ride and handling optimization switch assembly. For additional information, refer to [Ride and Handling Optimization Switch \(86.65.11\)](#) (Section 204-06)