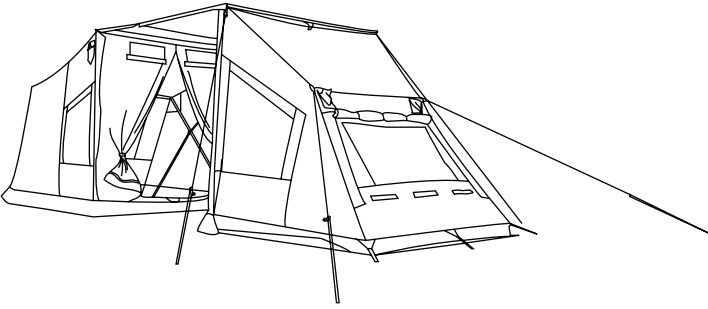


OZTENT TAGALONG TENT



The Tagalong Tent zips on to the front of your Oztent Awning and attaches to your Oztent Awning Poles to extend the living space of your Oztent.

Follow these instructions to pitch your Tagalong Tent

CONTENTS

Tagalong Tent
Ridge pole
Pegs

IMPORTANT

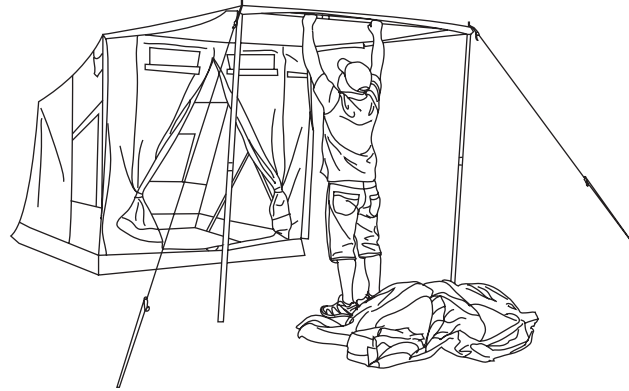
Like all tents, The Tagalong Tent must be pegged down for maximum strength and to avoid damage.

Tagalong Tents can burn. Do not pitch the tent near a camp fire or any other flame source. Do not use any candles, matches or any other flame sources in or near the tent. Never use any fuel-burning oxygen consuming devices or any device that produces any fumes, including stoves, lanterns, hibachis or heaters in your tent. This could result in carbon monoxide poisoning, injury and/or death.

Never leave your tent erected in strong winds - collapse the tent and seek refuge in appropriate shelter.

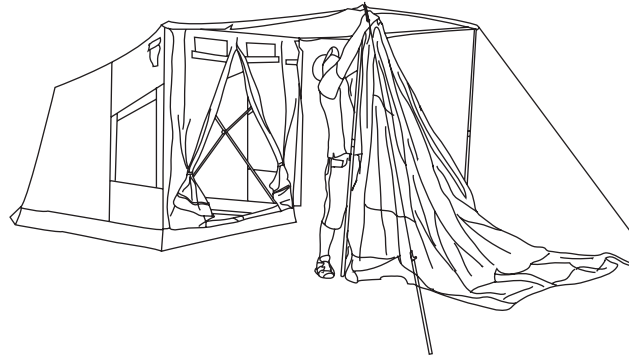
STEP 1

Fully set up your Oztent with all necessary pegs in place. Extend your attached Oztent awning - Peaked or Straight. Unpack your Oztent Tagalong Tent. Insert the Ridge Pole in your Oztent Awning. Twist and lock Ridge Pole when in place.

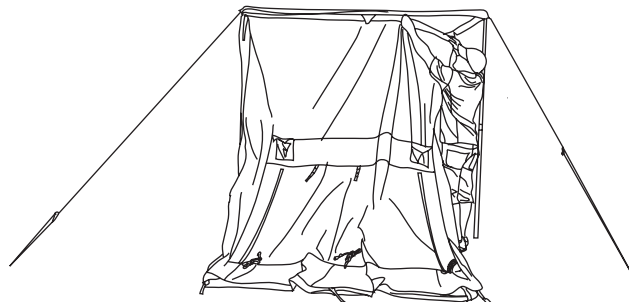


STEP 2

Attach your Tagalong Tent, right hand side first.

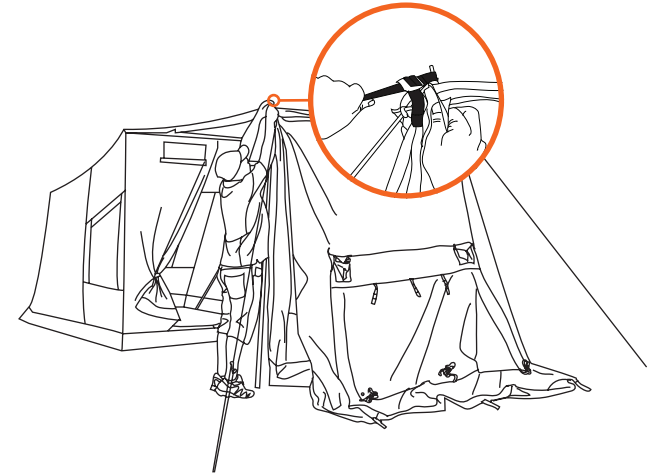


Zip from right to left.



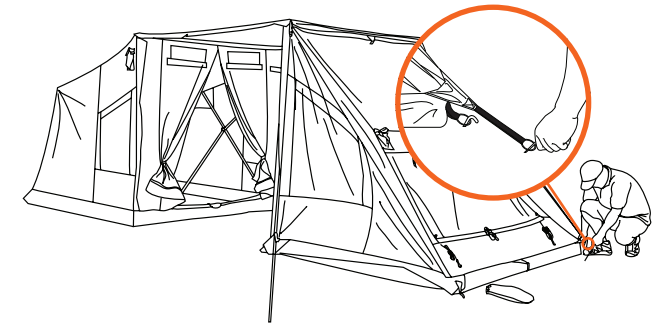
STEP 3

Attach top corner straps to your Oztent Awning Poles. Tighten straps. Attach velcro straps of Tagalong Tent on Oztent Awning Poles.



STEP 4

Peg at all base peg points. Note: Rear corners need two pegs.



STEP 5

Set up support poles. Extend all guy ropes, peg and secure.

