




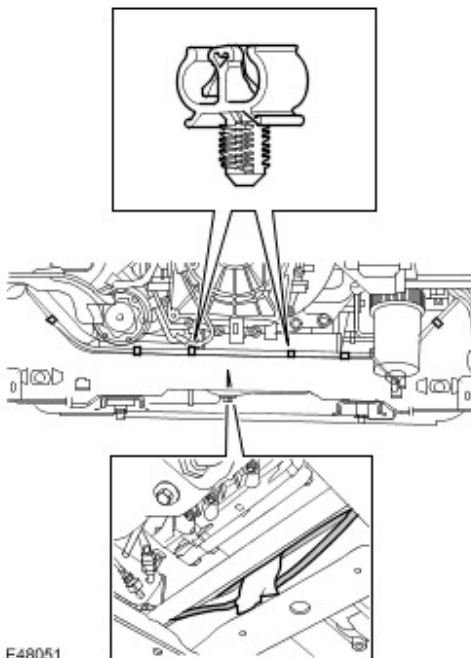
Transmission (37.20.02.99)

Removal

1.  **WARNING: Do not work on or under a vehicle supported only by a jack. Always support the vehicle on safety stands.**

Raise and support the vehicle.

2. Remove the gearshift lever. For additional information, refer to [Gearshift Lever \(37.16.04\)](#) (Section 308-06)
3. Secure the vacuum hose to the forward edge of the chassis cross member.
 - ▶ Release from the 6 clips.
 - ▶ Secure with adhesive tape.
4. Secure the fuel line to the forward edge of the chassis cross member.
 - ▶ Release from the 6 clips.
 - ▶ Secure with adhesive tape.
5. Remove the 2 clips.



6.  **CAUTION: An approved hose clamp must be used.**

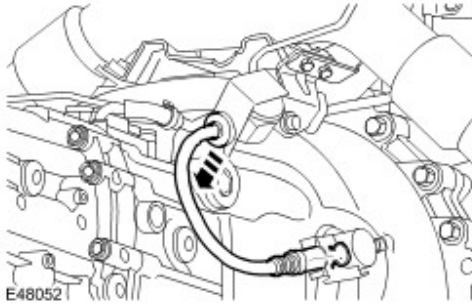


CAUTION: Before the disconnection or removal of any components, ensure the area around joint faces and connections are clean. Plug any open connections to prevent contamination.

Disconnect the clutch fluid hose.

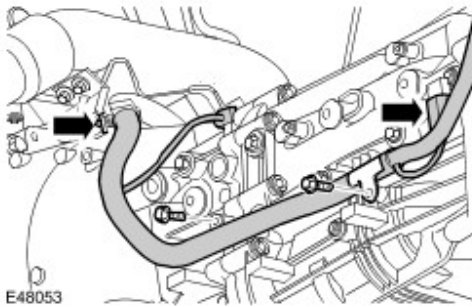
- ▶ Clamp the hose.
- ▶ Remove the clip.

- 7 . Release the clutch fluid damper from its support bracket.



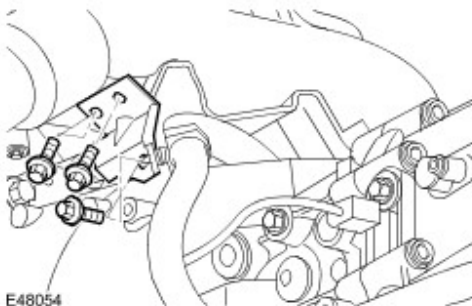
- 8 . Release the wiring harness from the transmission.

- ▶ Disconnect the 2 electrical connectors.
- ▶ Remove the 3 Torx screws.



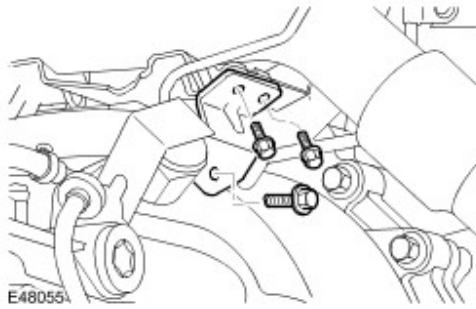
- 9 . Remove the exhaust cross-over pipe LH support bracket.

- ▶ Remove the 3 bolts.



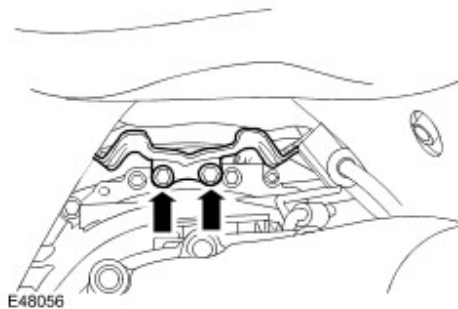
- 10 . Remove the exhaust cross-over pipe RH support bracket.

- ▶ Remove the 3 bolts.



- 11 . Remove the exhaust cross-over pipe center support bracket.

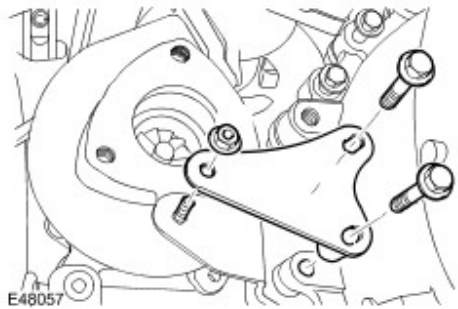
▶ Remove the 2 bolts.



- 12 . Remove the turbocharger support bracket.

▶ Remove the nut.

▶ Remove the 2 bolts.



- 13 . Release the gearbox breather line support bracket.

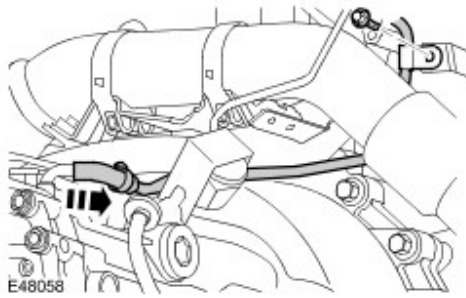
▶ Remove the bolt.

- 14 .

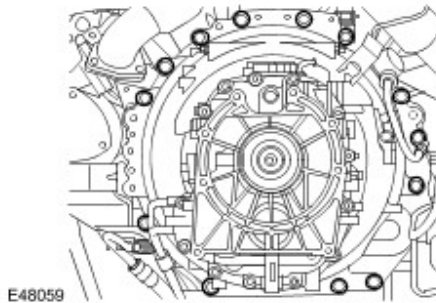


CAUTION: Always plug any open connections to prevent contamination.

Disconnect the gearbox breather line.



- 15 . With assistance, remove the transmission.
- ▶ Using a transmission jack, support the transmission.
 - ▶ Support the engine.
 - ▶ Remove the 13 bolts.



- 16 . Remove the transmission from the transmission jack.