



Fender Moulding (76.43.54)

Removal

1. Remove the headlamp assembly. For additional information, refer to [Headlamp Assembly \(86.40.49\)](#) (Section 417-01)

2.  **WARNING: Do not work on or under a vehicle supported only by a jack. Always support the vehicle on safety stands.**

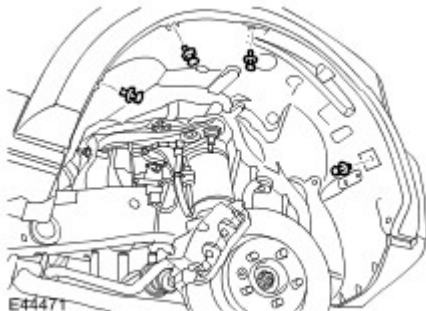
Raise and support the vehicle.

3. Remove the mud flap.
 Remove the 3 retaining screws.





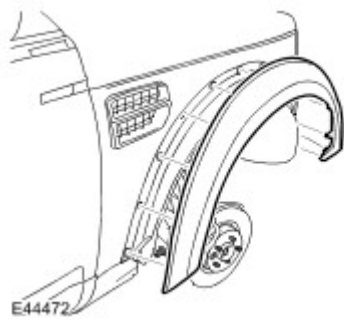
E44470

4. Remove the 4 retainers.

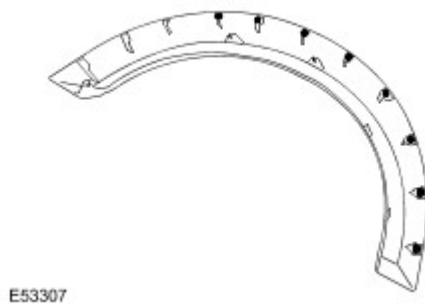


E44471

5. Remove the fender moulding.
 Remove the 2 screws.
 Carefully release the 10 clips.



6. **NOTE :**
Do not disassemble further if the component is removed for access only.
Remove the clips from the moulding.



Installation

1. To install, reverse the removal procedure.
2. Install the headlamp assembly. For additional information, refer to [Headlamp Assembly \(86.40.49\)](#) (Section 417-01)