




Front Bumper Cover (76.22.72)

Removal

1.  **WARNING:** Do not work on or under a vehicle supported only by a jack. Always support the vehicle on safety stands.

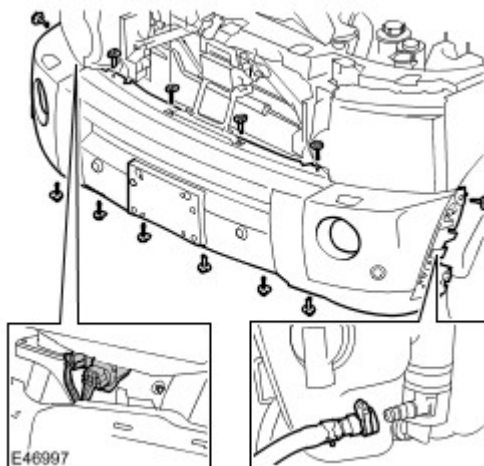
Raise and support the vehicle.

2. Remove the fender mouldings. For additional information, refer to [Fender Moulding \(76.43.54\)](#) (Section 501-08)

3. Remove the 14 front bumper cover screws.

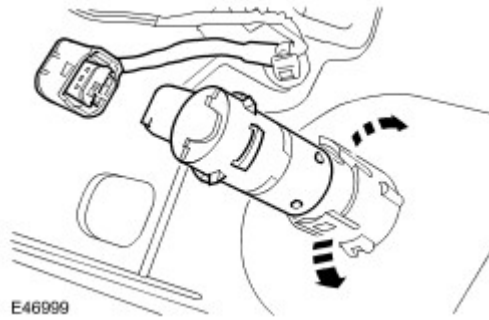
4. **NOTE :**
Some fluid spillage is inevitable during this operation.
Remove the front bumper cover.

- ▶ Disconnect the 2 electrical connectors.
- ▶ Release the head lamp washer jet hose from the washer pump.
- ▶ Allow the fluid to drain into a container.

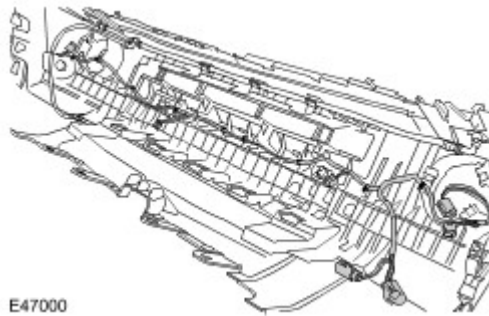


5. **NOTE :**
Do not disassemble further if the component is removed for access only.
Remove the washer jets. For additional information, refer to [Headlamp Washer Jet \(84.20.08\)](#) (Section 501-16)

6. Remove the parking aid sensors.
 - ▶ Disconnect the electrical connector.
 - ▶ Release the 2 clips.
 - ▶ Repeat the above procedure for the remaining 3 sensors.



7. Remove the parking aid sensor wiring harness.
 - ▶ Remove the 9 securing straps.



8. Remove the headlamp washer jet hose.
 - ▶ Release from the 5 clips.

Installation

1. Install the headlamp washer jet hose.
 - ▶ Secure in the 5 clips.
2. Install the parking aid sensor wiring harness.
 - ▶ Install the securing straps.
3. Install the parking aid sensors.
 - ▶ Connect the parking aid electrical connectors.
4. Install the washer jets. For additional information, refer to [Headlamp Washer Jet \(84.20.08\)](#) (Section 501-16)
5. Install the front bumper cover.
 - ▶ Connect the parking aid sensor wiring harness electrical connectors.
 - ▶ Connect the head lamp washer jet hose to the washer pump.
 - ▶ Install the screws.
6. Install the fender mouldings. For additional information, refer to [Fender Moulding \(76.43.54\)](#) (Section

501-08)