

**RANGE  
ROVER**



## **OWNER'S HANDBOOK SUPPLEMENT**

The following information should be read in conjunction with Owner's Handbooks for Range Rover Sport, Land Rover Discovery 3 and Discovery 4. This information relates to optional towing equipment. It revises and replaces any specifications previously published.

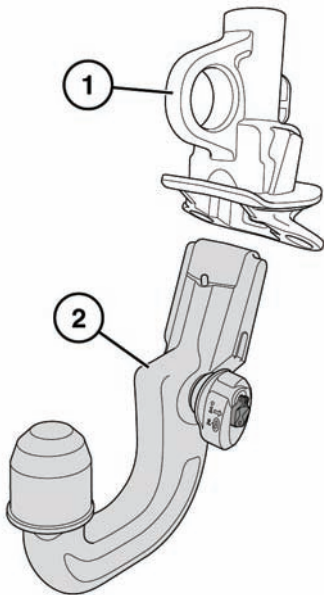
**Publication Part No. LSB 10 02 99 122**

## QUICK RELEASE TOW BALL FOR RANGE ROVER SPORT, DISCOVERY 3 AND DISCOVERY 4

### Applicability

This information is applicable to all model years for the following vehicles:

- Range Rover Sport - All models.
- Discovery 3 - All models.
- Discovery 4 - All models.



SL2223

1. Vehicle mounted receiver.
2. Quick release tow ball.

The tow ball unit locks into the vehicle mounting when required for towing.

This quick release tow ball should be used only for nose loads up to a maximum of 150Kg (330lb).

## ESSENTIAL TOWING CHECKS

- DO NOT exceed the revised nose weight limit of 150kg (330lb).
- When the quick release tow ball is not required for immediate use, it should be removed and stowed in the appropriate place.

## HEAVY DUTY MULTI-HEIGHT TOW BAR SYSTEM

If there is a requirement for towing with a greater nose weight, for example, commercial or constant use towing, Land Rover Accessories have available a suitable tow bar system.