


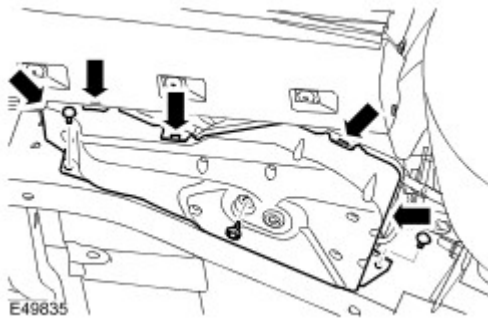
Air Suspension Reservoir Solenoid Valve Block (60.50.05)

Removal

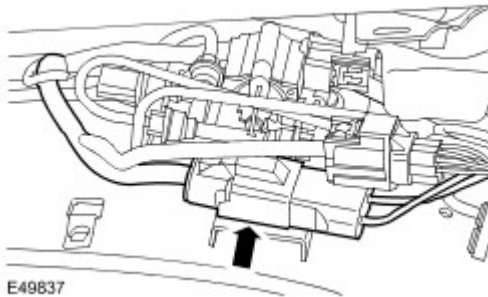
1.  **WARNING :** Do not work on or under a vehicle supported only by a jack. Always support the vehicle on safety stands.


Raise and support the vehicle.


2. Using T4, depressurize the air suspension.
For additional information, refer to: Vehicle Dynamic Suspension, 204-05.
3. Remove the air suspension compressor lower cover.
 - ▶ Remove the 3 bolts.
 - ▶ Release the 5 clips.



4. Move the air compressor electrical connector aside.
 - ▶ Release the 2 clips.



5.  **CAUTION :** Before the disconnection or removal of any components, ensure the area around joint faces and connections are clean. Plug any open connections to prevent contamination.

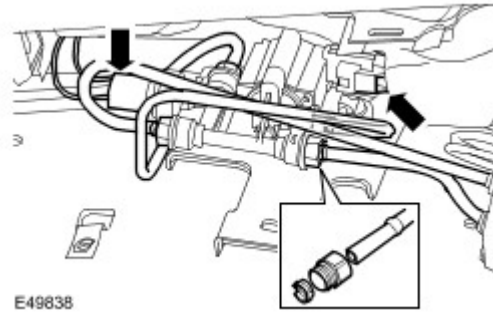
 **CAUTION :** Visually inspect the air line ends for damage or wear. Repair or replace the air line as necessary.

NOTE :

Note the air line fitted positions.

Remove the air suspension reservoir solenoid valve block.

- ▶ Disconnect the 4 air lines.
- ▶ Disconnect the 2 electrical connectors.
- ▶ Release the valve block 3 rubber insulators.



6 . Remove the Voss connectors.

- ▶ Remove and discard the collets and the unions.

Installation

1 .



CAUTION : Make sure the new Voss connector is installed and fully tightened with the alignment plug installed.

NOTE :

New air suspension components are supplied with new Voss connectors tightened to the correct torque. Do not install new voss connectors if a new component is being installed.

Install new Voss connectors to the air suspension reservoir solenoid valve block.

- ▶ Tighten to 2.5 Nm (1.7 lb.ft).

2 . **NOTE :**

Make sure the valve block does not become detached during connection of the air lines.

Install the air suspension reservoir solenoid valve block.

- ▶ Secure the 3 valve block rubber insulators.
- ▶ Connect the electrical connectors.
- ▶ Connect the air lines into the Voss connector.
- ▶ Pull on each air line to make sure it is fully installed into the Voss connector.

3 . Secure the air compressor electrical connector.

4 . Install the air suspension compressor lower cover.

- ▶ Install the bolts and tighten to 10 Nm (7 lb.ft).

5 . Using T4, pressurize the air suspension.

For additional information, refer to: Vehicle Dynamic Suspension, 204-05.