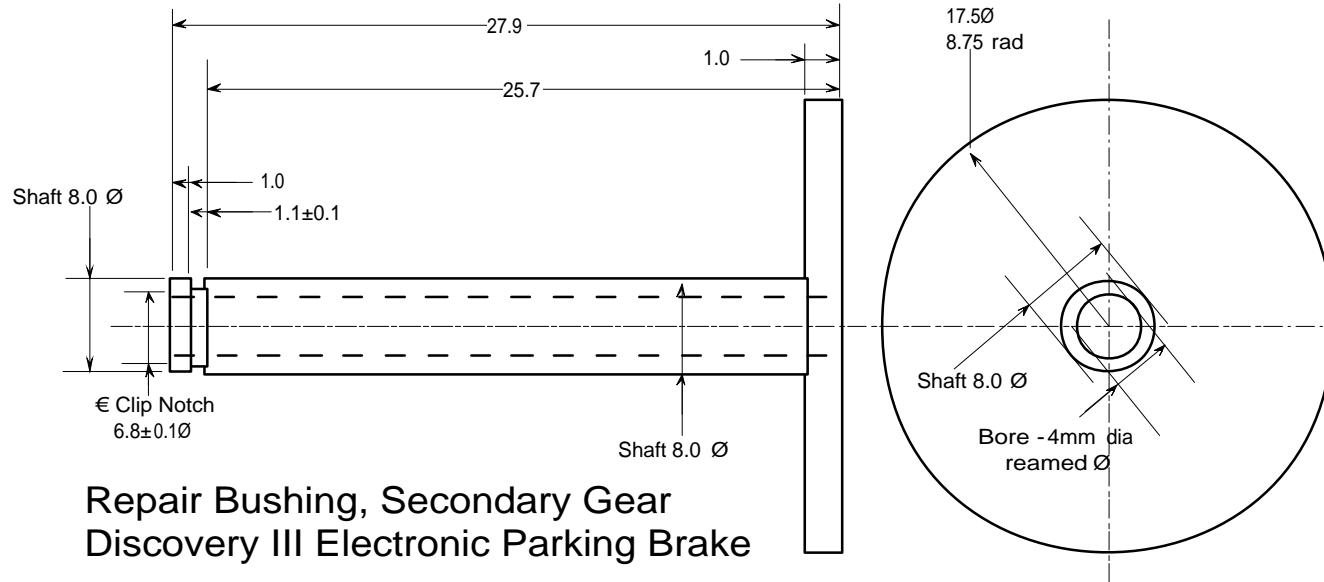
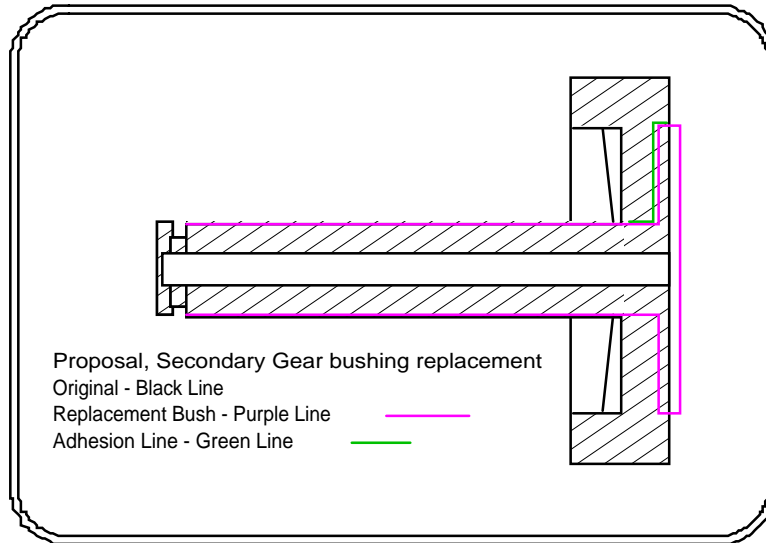
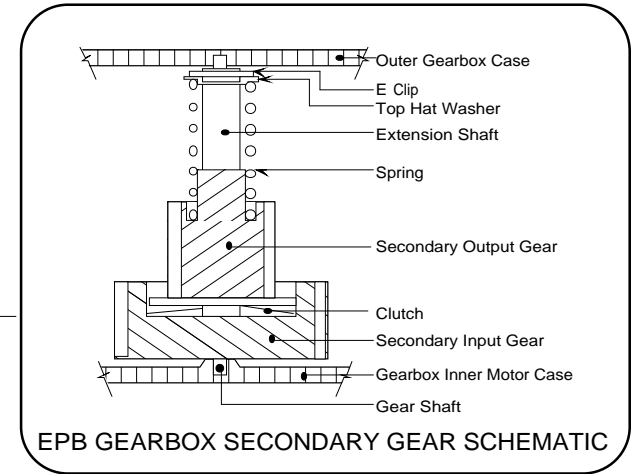


Butler



**Repair Bushing, Secondary Gear
Discovery III Electronic Parking Brake**

MATERIAL - BRASS



Proposal, Secondary Gear bushing replacement
 Original - Black Line
 Replacement Bush - Purple Line
 Adhesion Line - Green Line

All dimensions in millimetres
 Sketch Only - DO NOT SCALE
 If in doubt - ASK

| | | |
|-------------------------|--|--|
| Drg No | MC.2010.132 | 19 June 2010 |
| For Dr A W Taylor | By A J Taylor | Contacts 07976 357571 01543 378421 |
| Revisions | 1 Prop Redrawn 2 Shaft Dims Revised | 20 June 2010 3 July 2010 |