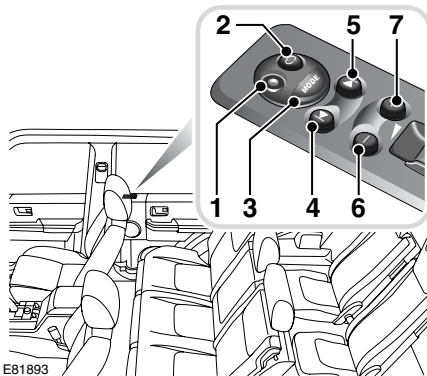


Rear passenger controls

REAR SEAT CONTROLS



1. 3.5 mm headphone jack
2. Preset/CD select
 - During radio play, a short press will select the next preset radio station.
 - During CD play, a short press will select the next CD.
3. Mode control
 - A long press will select **AUX**.
 - With **AUX** selected, press to return to the previous mode.
 - When rear seat entertainment is selected, all adjustments are made through the remote control.
4. Search down
 - During radio play, press to search down the frequency band for the next station with a good signal strength.
 - During CD play, a short press will start the current track again. A second press will start the previous track.
 - During CD play, a long press will search back through the track being played, until the button is released.

5. Search up
 - During radio play, press to search up the frequency band for the next station with a good signal strength.
 - During CD play, a short press will start the next track.
 - During CD play, a long press will search forward through the track being played, until the button is released.
6. Volume decrease
 - Press to decrease headphone volume
7. Volume increase
 - Press to increase headphone volume

With the starter switch in position **I** or **II**, the rear seat controls can operate, regardless of whether the audio system is switched on or not. However, the output can only be heard through the headphones.

If rear seat passengers are listening to the same source as the front seat passengers, only the volume can be adjusted via the rear seat controls.

For example, if a music CD is playing on the audio unit, rear seat passengers can listen to that music and adjust the volume to suit their requirement. No other functions will be available.

If however, the audio unit is switched to another source, all CD related rear seat controls become operable. If the audio source is subsequently switched back to CD, the rear seat controls will again be limited to volume control only.

The same logic applies to radio functions.

Adjustments can be made to other functions of the audio system.

Rear passenger controls

For example, if a music CD is selected on the audio unit, radio can be selected and controlled using the rear seat controls. All radio related rear seat controls become operable.

HEADPHONES

The maximum volume available to this type of headphones is limited to the volume set at the rear seat controls.

Note: Only headphones compatible with a 3.5 mm jack plug socket can be used. To obtain optimum sound quality, use headphones with an impedance of 32 ohms.

Note: When the headphones are not connected, the rear seat controls remain operational. It is still possible to select CD, whilst the radio is playing on the audio unit. CD play will remain operational until the mode control is pressed again.

Note: The mode in use when the starter key is removed will resume if the starter switch is turned on again (position I or II) within two minutes. If the starter switch is turned off for longer than two minutes **AUX** mode will be selected when the starter switch is next turned on. For example, a CD is playing when the key is removed, play will recommence when the starter switch is next turned to position I, or the engine is started, whether the headphones are in use or not.

Note: Adjusting the volume on the audio unit, does not alter the headphone volume. The volume of each controller can be adjusted independently.